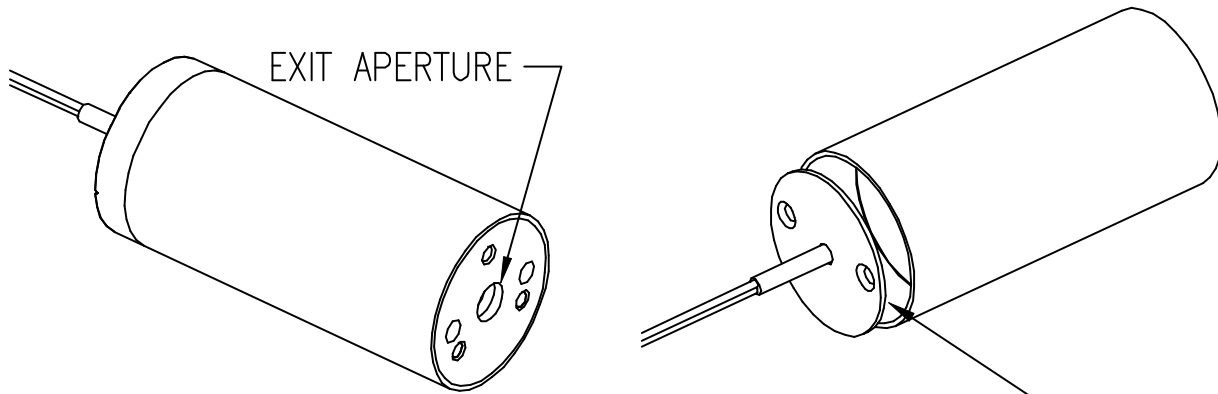
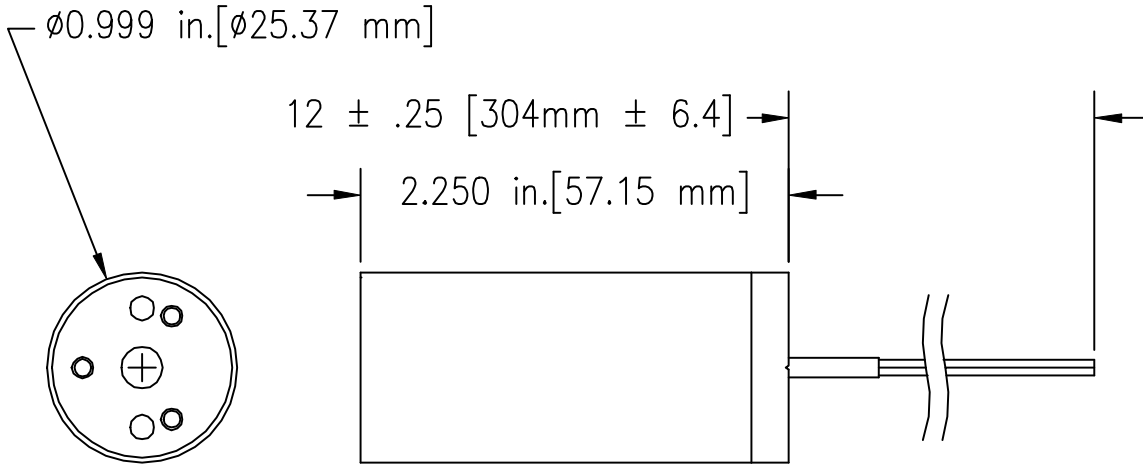


REVISIONS

REV	DATE	DRW	APVD	
A	3/30/99	BDC	OLE	REDRAWN IN 3D

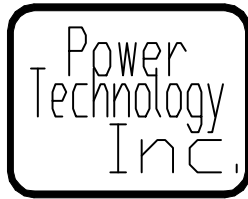


NOTES:

1. RED LEAD = +VDC
2. INPUT 2.8 - 9.0 VDC

MATERIAL

FINISH



Power Technology Incorporated

Address correspondence to: Box 191117 Little Rock Arkansas 72219-1117
 Plant Location: 7925 Mabelvale Cutoff Mabelvale Arkansas 72103
 501-568-1995 Fax 501-568-1994

This information is deemed at this time to be accurate and reliable. Power Technology, Inc. reserves the right to change the design, specifications, etc., of these products as deemed practical and/or necessary at any time without notice.

DRAWN	DATE	TITLE
BDC	3/30/99	OUTLINE, ACM
CHECKED		
PROJ.ENGR		

ENGR APPROVED

SC 1:1

NO. 0-0208-0101 RV A SZ A