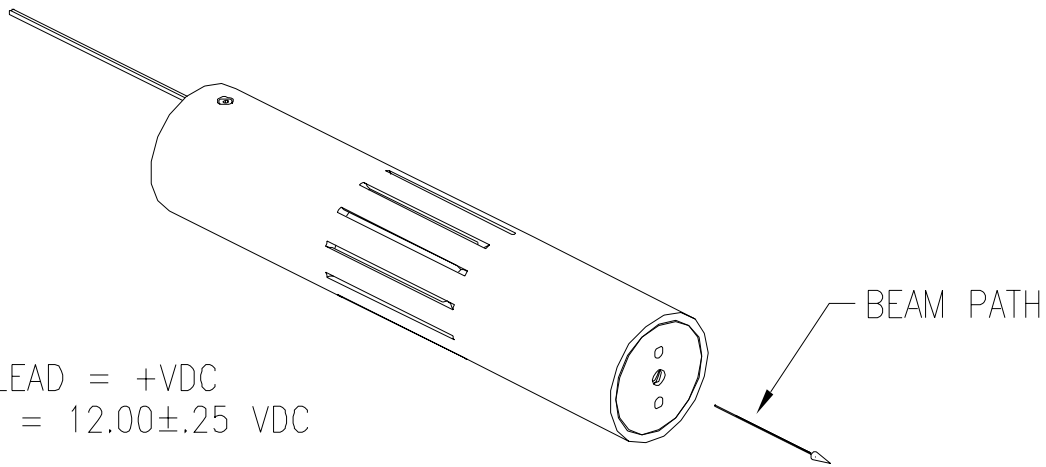
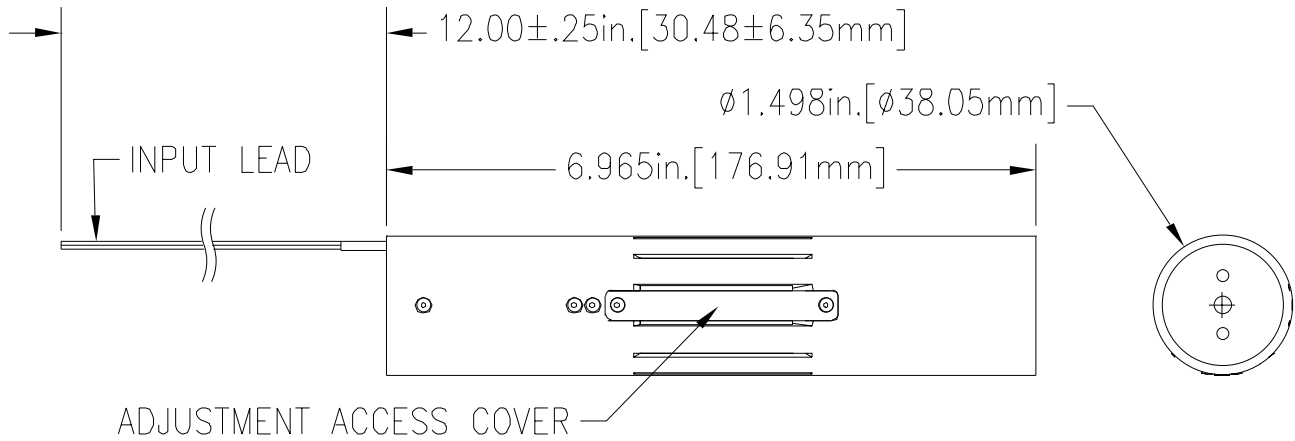


REVISIONS				
REV	DATE	DRW	APVD	

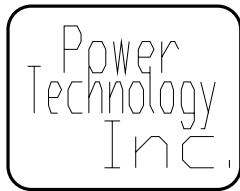


NOTES:

- 1) RED LEAD = +VDC
- 2) INPUT = 12.00 ± .25 VDC

MATERIAL

FINISH



Address correspondence to: Box 191117 Little Rock Arkansas 72219-1117
 Plant Location: 16302 Alexander Rd. Alexander, Arkansas 72002
 501-407-0712 Fax 501-407-0036

This information is deemed at this time to be accurate and reliable. Power Technology, Inc. reserves the right to change the design, specifications, etc., of these products as deemed practical and/or necessary at any time without notice.

DRAWN	DATE	TITLE
BDC	04/20/99	OUTLINE, APM
CHECKED		
PROJ.ENGR		

ENGR

APPROVED

SC 1:2

NO. 0-0237-0105 RV 0 SZ A