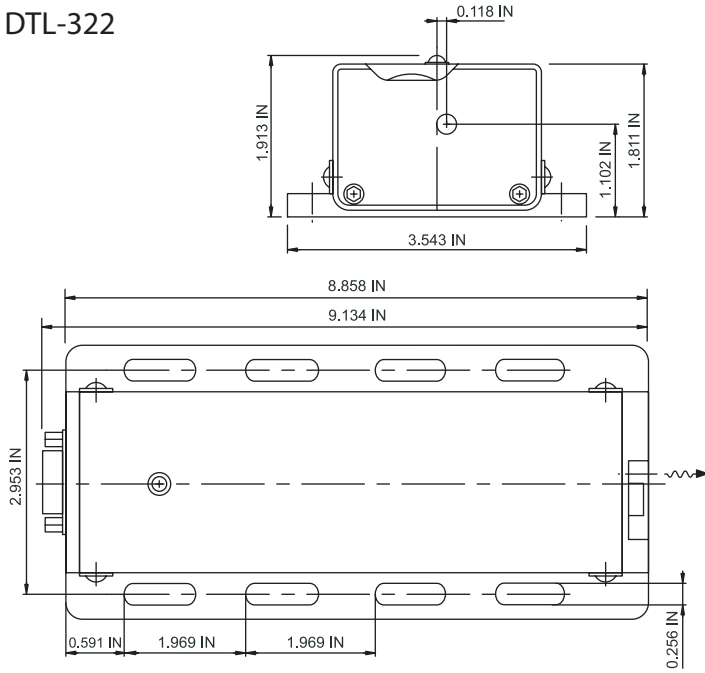
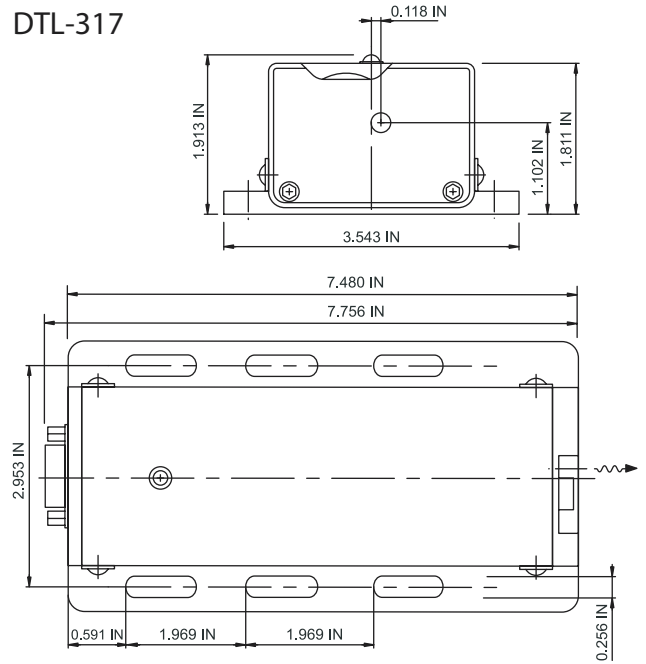


CW DTL drawings

CW DTL head
DTL-322



CW DTL head
DTL-317



CW DTL power supply

