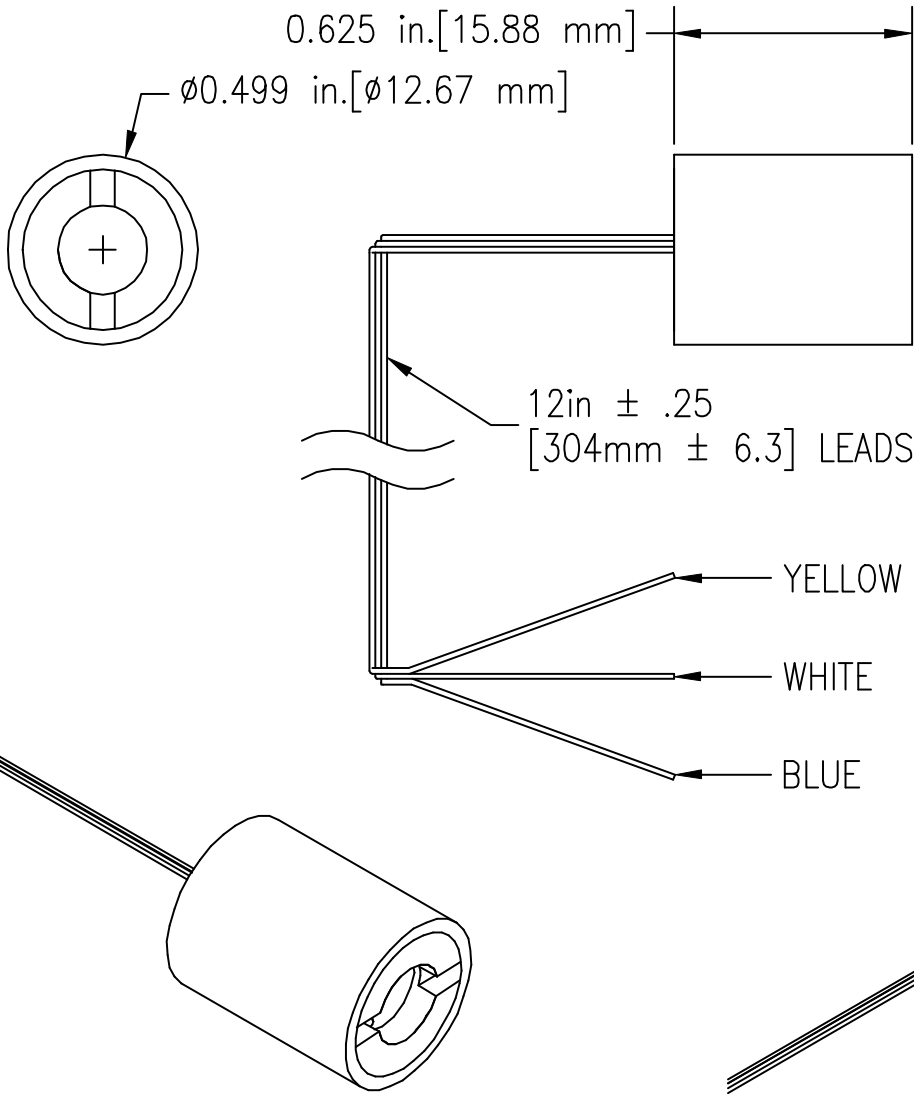


REVISIONS

REV	DATE	DRW	APVD	

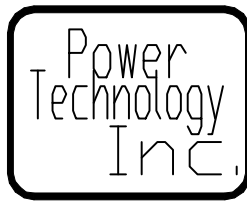


NOTES:

- 1) ELECTRICAL CONNECTIONS VARY FROM DIODE TO DIODE. PLEASE CONSULT THE FACTORY FOR CONNECTION INFORMATION.
- 2) THESE OPTICAL HEADS ARE SOLD W/O WARRANTY.
- 3) WHEN HANDLING LASER DIODES, PLEASE TAKE ALL APPROPRIATE STATIC PRECAUTIONS.

MATERIAL

FINISH



**Power Technology Incorporated**

Address correspondence to: Box 191117 Little Rock Arkansas 72219-1117  
 Plant Location: 7925 Mabelvale Cutoff Mabelvale Arkansas 72103  
 501-568-1995 Fax 501-568-1994

This information is deemed at this time to be accurate and reliable. Power Technology, Inc. reserves the right to change the design, specifications, etc., of these products as deemed practical and/or necessary at any time without notice.

DRAWN	DATE	TITLE
BDC	03/22/99	OUTLINE, LHW
CHECKED		
PROJ.ENGR		

ENGR APPROVED

SC 2:1

NO. 0-0218-0145 RV 0 SZ A