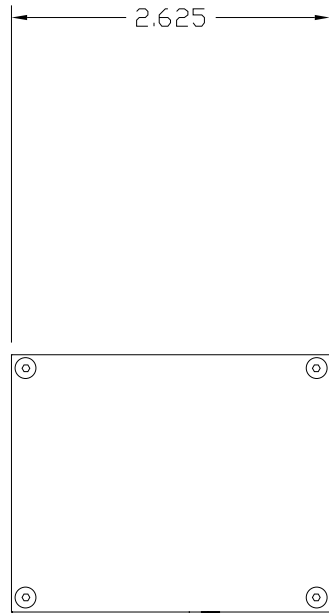
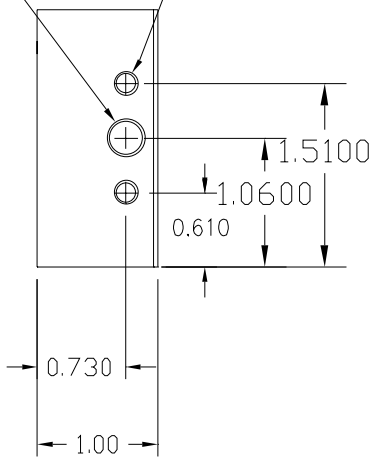


.272 DIA. CSK 82° x .312 DIA
5/16-24 UNF- 2B THD.

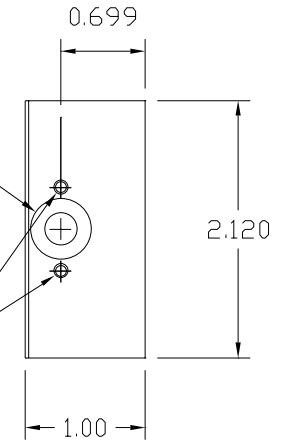
.159 DIA (NO. 21)
CSK 90° x .200 DIA.
10-32 UNC-2B THD.
2 PLACES AS SHOWN




REVISIONS				
REV	DATE	DRW	APVD	

S' FACE .500 DIA. TO MIN
DEPTH TO REMOVE ANODIZE

.089 DIA. (NO.43)
82° CSK. x .125 DIA.
NO. 4-40 UNC-2B THD.



MATERIAL	MAKE FROM 0-0286-0300-0B		Power Technology Incorporated Address correspondence to: Box 191117 Little Rock Arkansas 72219-1117 Plant Location: 7925 Mabelvale Cutoff Mabelvale Arkansas 72103 501-568-1995 Fax 501-568-1994
FINISH			
UNLESS OTHERWISE STATED TOLERANCES ARE AS FOLLOWS: DO NOT SCALE THIS DRAWING.	DRAWN DATE OLE' 09-04-97	TITLE CASE MLH SERIES FINAL MACHINE DRAWING	
DECIMAL .XX ±.010 FRACTIONAL ±.015 .XXX ±.005 ANGULAR ± 0° 15' 0"	CHECKED		
MATL. AND HOLE SIZES NOT INCLUDED	PROJ. ENGR		
ENGR	APPROVED	SC 1:1	NO. 0-0287-0300
			RV 0 SZ B