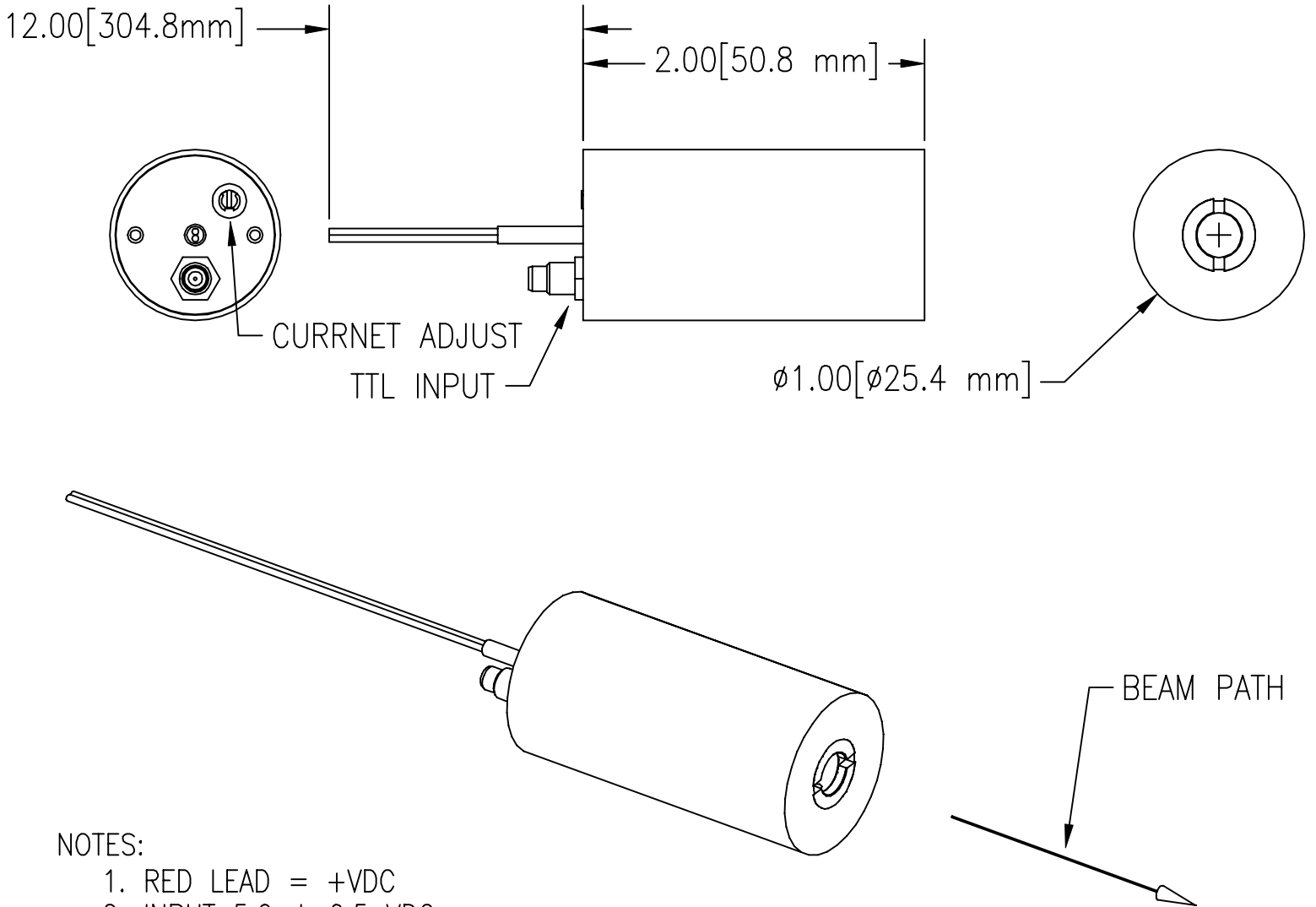


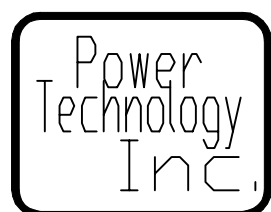
REVISIONS

REV	DATE	DRW	APVD	
A	08/11/99	BDC	OLE'	REDRAWN FOR CDRH



MATERIAL

FINISH



Power Technology Incorporated
 Address correspondence to: Box 191117 Little Rock Arkansas 72219-1117
 Plant Location: 7925 Mabelvale Cutoff Mabelvale Arkansas 72103
 501-568-1995 Fax 501-568-1994

This information is deemed at this time to be accurate and reliable. Power Technology, Inc. reserves the right to change the design, specifications, etc., of these products as deemed practical and/or necessary at any time without notice.

DRAWN	DATE
BDC	08/11/99
CHECKED	
PROJ.ENGR	
SC	1:1

TITLE	
OUTLINE, PMT	
NO.	0-0242-0103
RV	A
SZ	A

ENGR

APPROVED