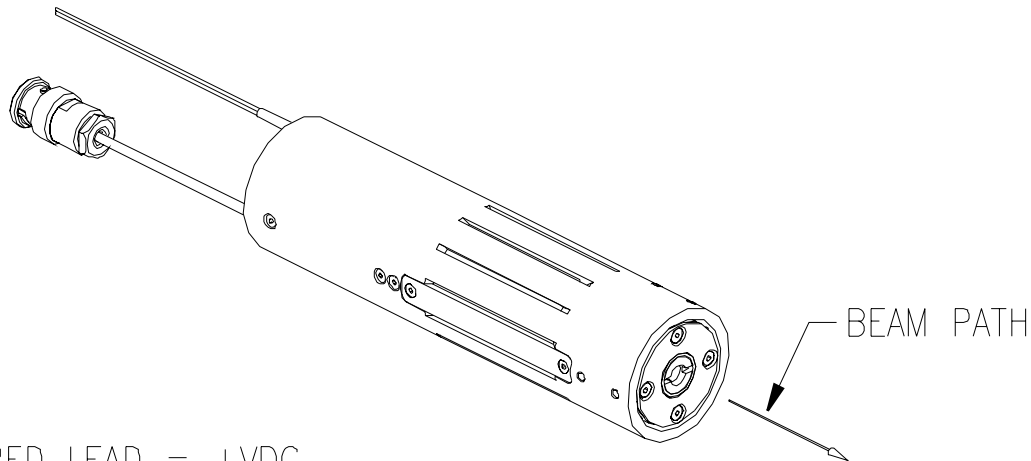
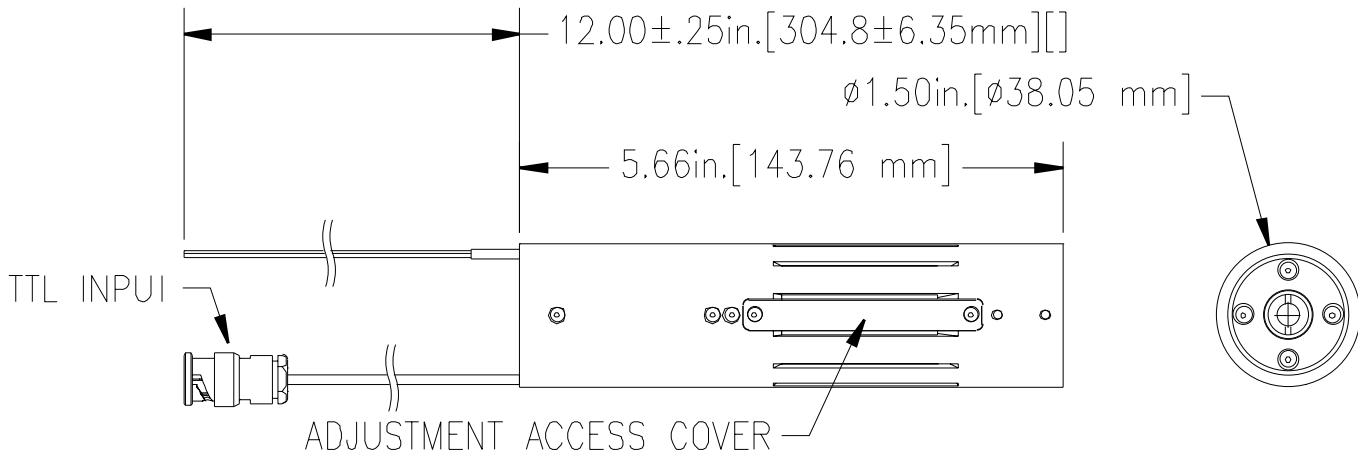


REVISIONS

REV	DATE	DRW	APVD	

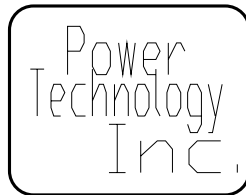


NOTES

- 1) RED LEAD = +VDC
- 2) INPUT - 12.00 ± .25 VDC

MATERIAL

FINISH



Power Technology Incorporated

Address correspondence to: Box 191117 Little Rock Arkansas 72219-1117
 Plant Location: 7925 Mabelvale Cutoff Mabelvale Arkansas 72103
 501-568-1995 Fax 501-568-1994

This information is deemed at this time to be accurate and reliable. Power Technology, Inc. reserves the right to change the design, specifications, etc., of these products as deemed practical and/or necessary at any time without notice.

DRAWN BDC DATE 05/13/99
 CHECKED
 PROJ. ENGR

TITLE

OUTLINE, PPMT

ENGR APPROVED

SC 1:2

NO.

0-0257-0100 RV 0 SZ A