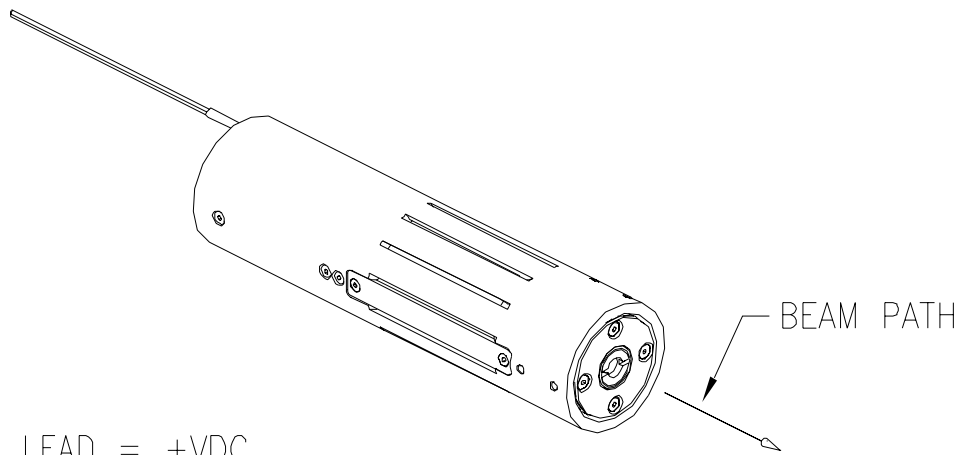
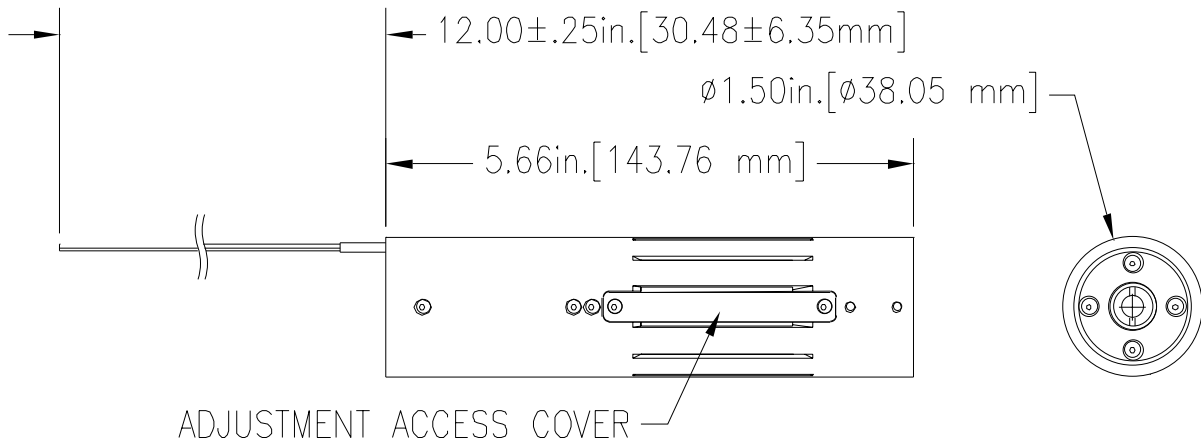


REVISIONS

REV	DATE	DRW	APVD	



NOTES

- 1) RED LEAD = +VDC
- 2) INPUT - $12.00 \pm .25 \text{ VDC}$

MATERIAL	 <p>Power Technology Incorporated Address correspondence to: Box 191117 Little Rock Arkansas 72219-1117 Plant Location: 7925 Mabelvale Cutoff Mabelvale Arkansas 72103 501-568-1995 Fax 501-568-1994</p>
FINISH	

This information is deemed at this time to be accurate and reliable. Power Technology, Inc. reserves the right to change the design, specifications, etc., of these products as deemed practical and/or necessary at any time without notice.	DRAWN BDC	DATE 04/29/99	TITLE
	CHECKED		OUTLINE, PPM
	PROJ.ENGR		

ENGR	APPROVED	SC 1:2	NO. 0-0239-0100	RV 0	SZ A
------	----------	--------	-----------------	------	------