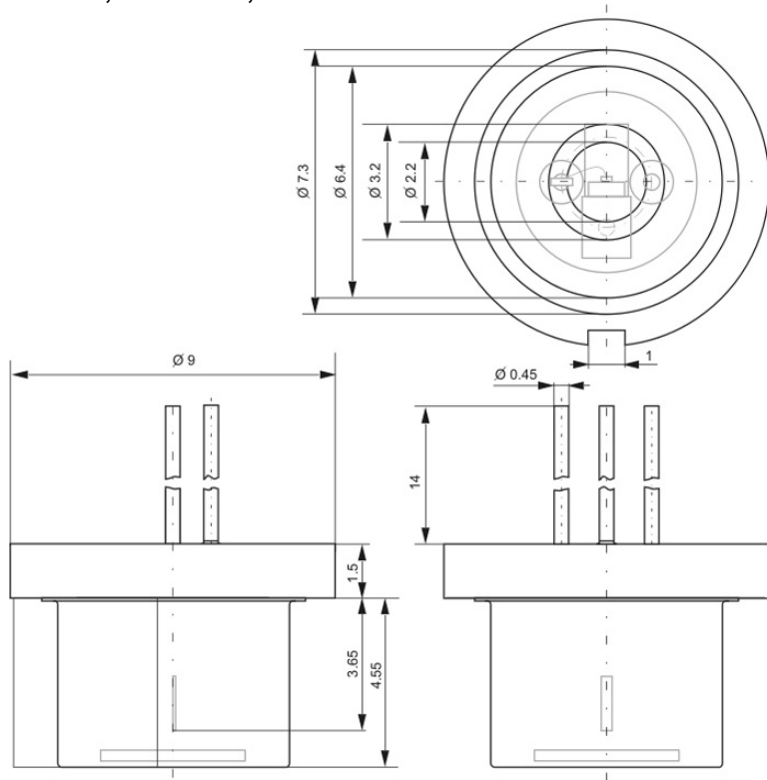
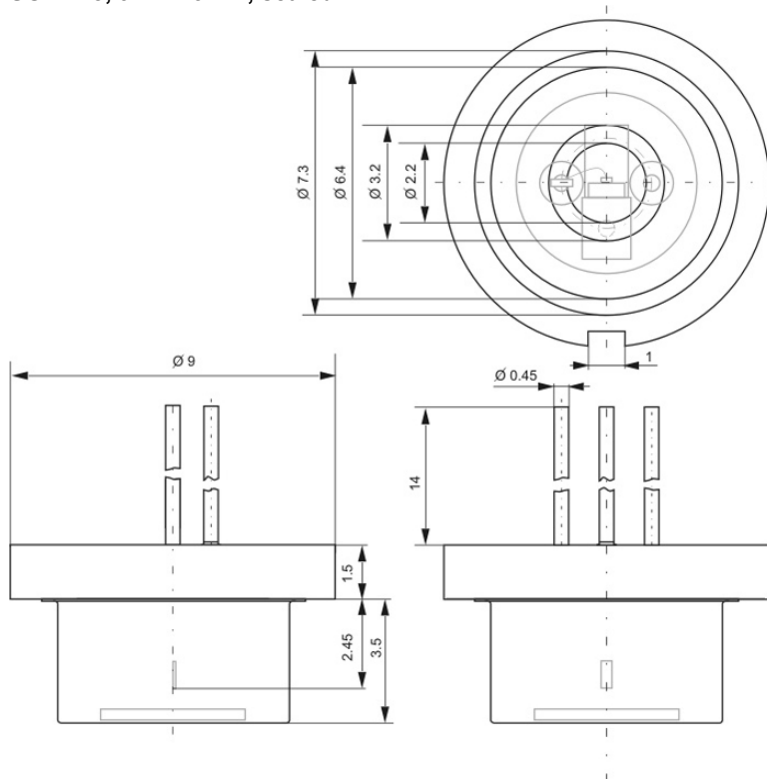


## Specialty diode package types

SOT 148, 9 x 3.65mm, sealed

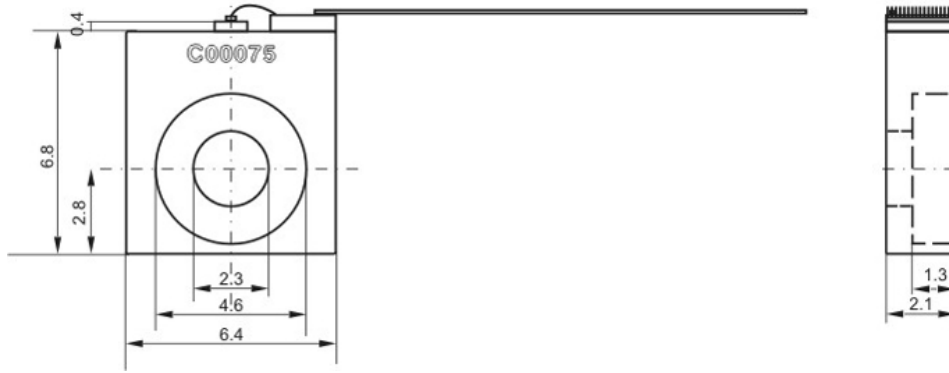


SOT 148, 9 x 2.45mm, sealed

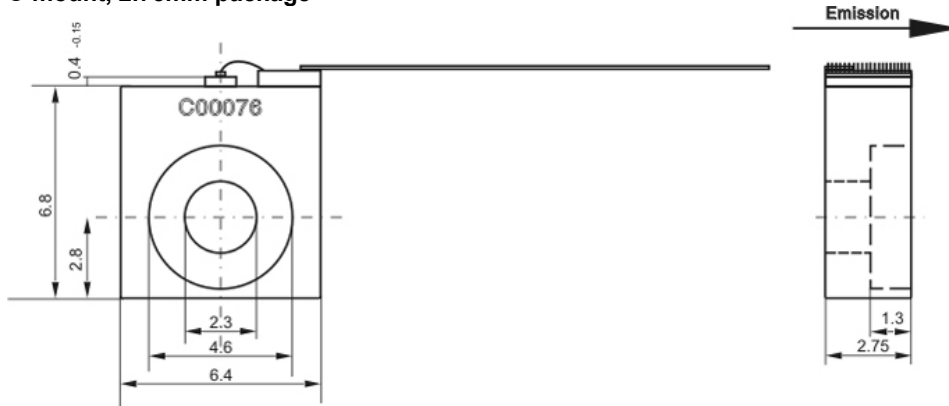


Mailing: P. O. Box 191117, Little Rock, AR 72219-1117 • Shipping: 16302 Alexander Road, Alexander, AR 72002  
Tel: 501.407.0712 • Fax: 501.407.0036 • Email: [sales@powertechnology.com](mailto:sales@powertechnology.com) • Web: [www.powertechnology.com](http://www.powertechnology.com)

**C-mount, 2mm package**

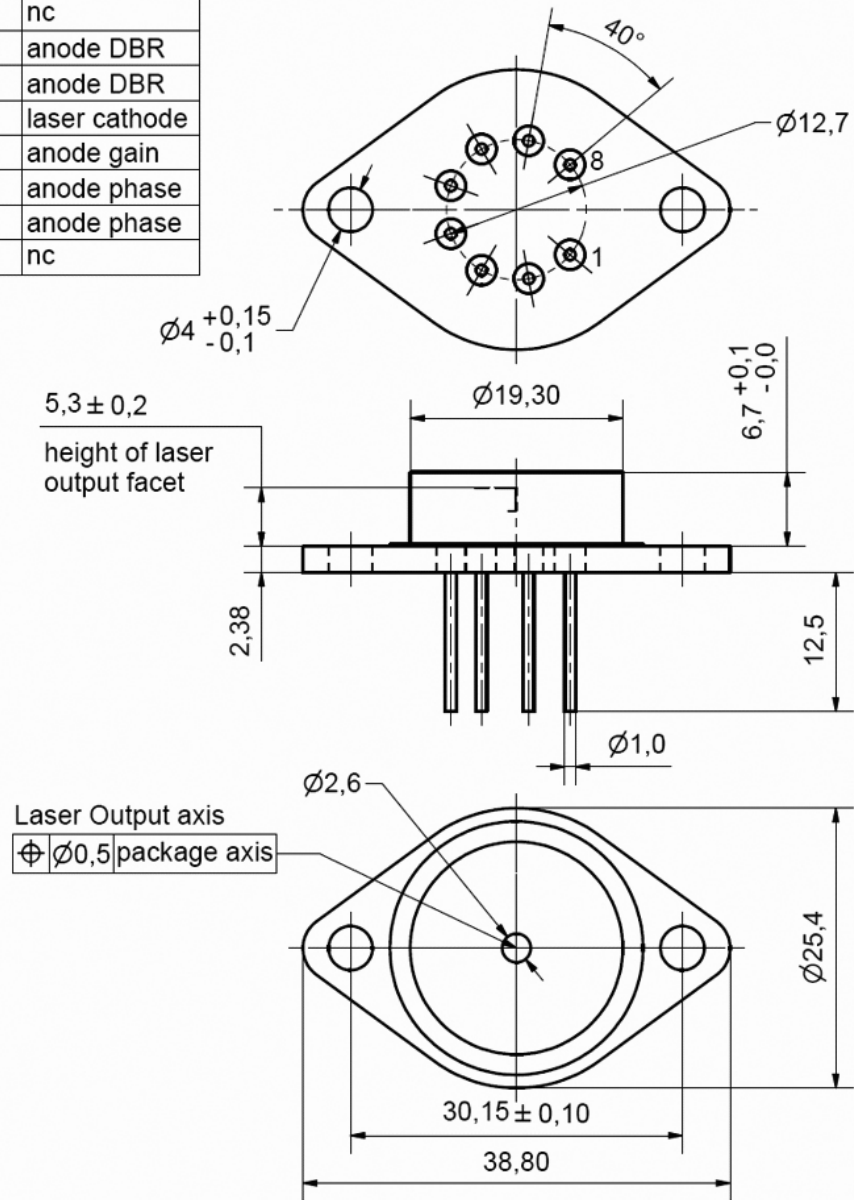


**C-mount, 2.75mm package**



**TO-3 package**

1	nc
2	anode DBR
3	anode DBR
4	laser cathode
5	anode gain
6	anode phase
7	anode phase
8	nc



**TO-3 package with integrated TEC**

1	TEC (+)
2	Thermistor
3	Thermistor
4	LD Cathode
6	PD Anode
7	PD Cathode
8	TEC (-)

