

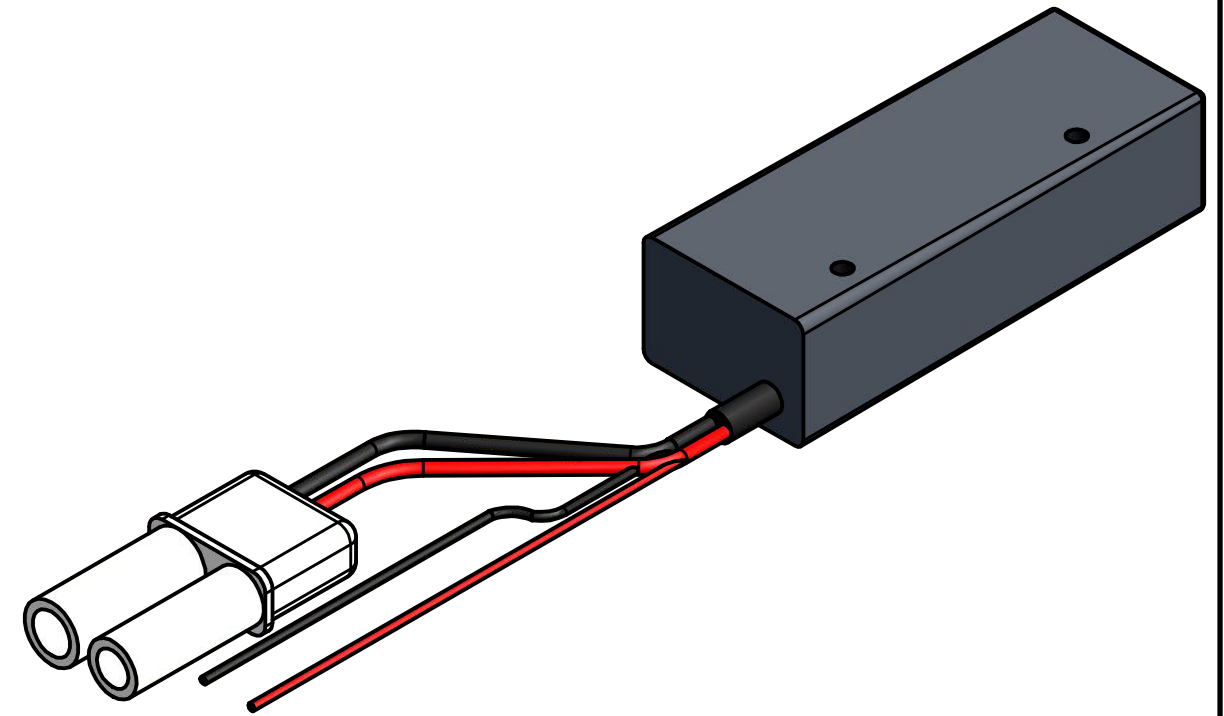
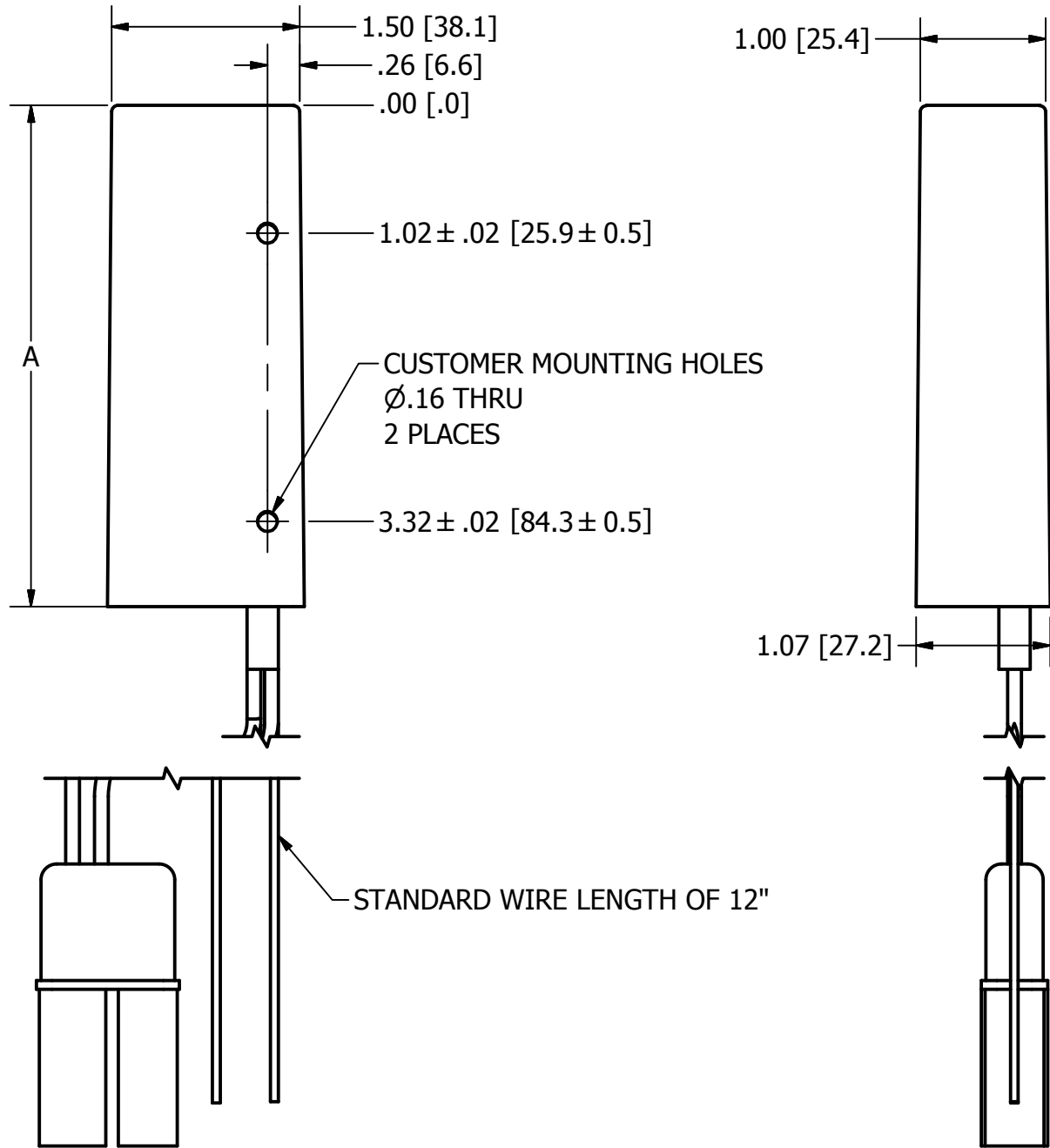
4

3

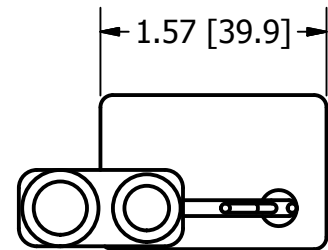
2

1

TABLE	
MODEL NUMBER	LENGTH 'A' (in)
L23101	3.75
L23110	4.00
L23111	4.25
L28101	3.75
L28110	4.00
L28111	4.25
SL23101	3.75
SL23110	4.00
SL23111	4.25
SL28101	3.75
SL28110	4.00
SL28111	4.25
SL23201	3.75
SL23210	4.00
SL23211	4.25
SL28201	3.75
SL28210	4.00
SL28211	4.25



NOTE:  
1) WIRE COUNT AND EXIT LOCATION VARIES PER MODEL  
2) HIGH VOLTAGE CONNECTOR OPTIONAL



- NOTES:  
1 INTERPRET DRAWING PER 40M114  
2 THE CONTRACTOR, POWER TECHNOLOGY INC. HEREBY CERTIFIES THAT, TO THE BEST OF ITS KNOWLEDGE AND BELIEF, THE TECHNICAL DATA DELIVERED HERewith UNDER THE SUBJECT CONTRACT IS COMPLETE, ACCURATE AND COMPLIES WITH ALL REQUIREMENTS OF THE CONTRACT.  
3 WORKMANSHIP SHALL BE IN ACCORDANCE WITH MIL- HDBK - 454. GUIDELINE 9.  
4 Anodize Per mil-A-8625 Type II Class II

PROPRIETARY INFORMATION NOTICE: Despite any other copyright notices, this document and information disclosed herein contains confidential, proprietary designs owned by POWER TECHNOLOGY. Information contained herein shall NOT be reproduced, used or disclosed without the written authorization of POWER TECHNOLOGY.

MATERIAL	PLASTIC				<b>Power Technology, Inc.</b> Address correspondence to: P.O. Box 191117 Little Rock, Ar 72219-1117 (501) 407-0712		Plant Location: 16302 Alexander Road Alexander, Ar. 72002 (501) 407-0036 Fax				
FINISH	BLACK										
DIMENSIONAL TOLERANCES AND SYMBOLS IN ACCORDANCE WITH ANSI Y14.5M-1982 .xx±.01      <math>\angle \pm 2^\circ</math> .xxx±.005      FRACTIONS+1/64 SCRATCH & DIG >63			DRAWN SM	DATE 4/7/26	<b>HENE POWER SUPPLY:</b> <b>L23/SL23: 101/110/111      L28/SL28: 101/110/111</b> <b>SL23: 201/210/211      SL28: 201/210/211</b>						
ENGR	APPROVED	SC	NO.	0-0023-0C00	RV	A	SZ	B	Sheet of	1	1

4

3

2

1