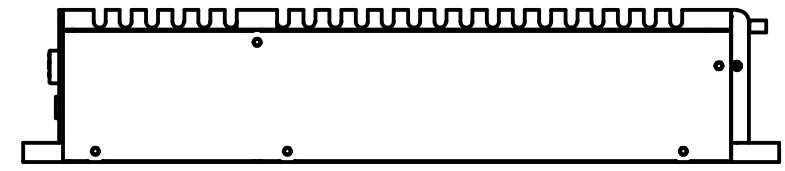
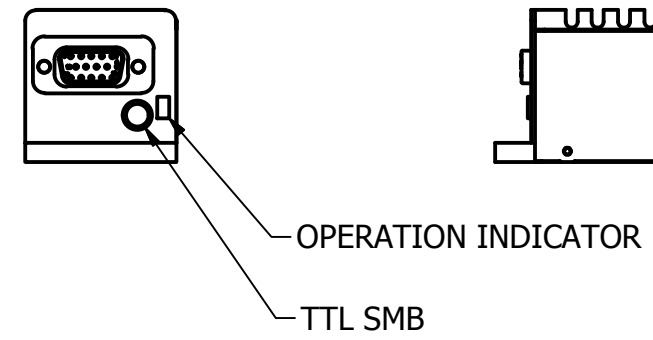
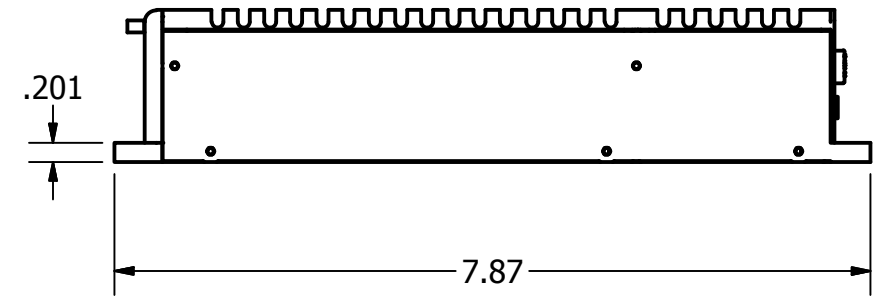
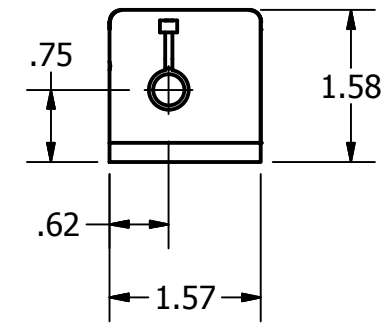
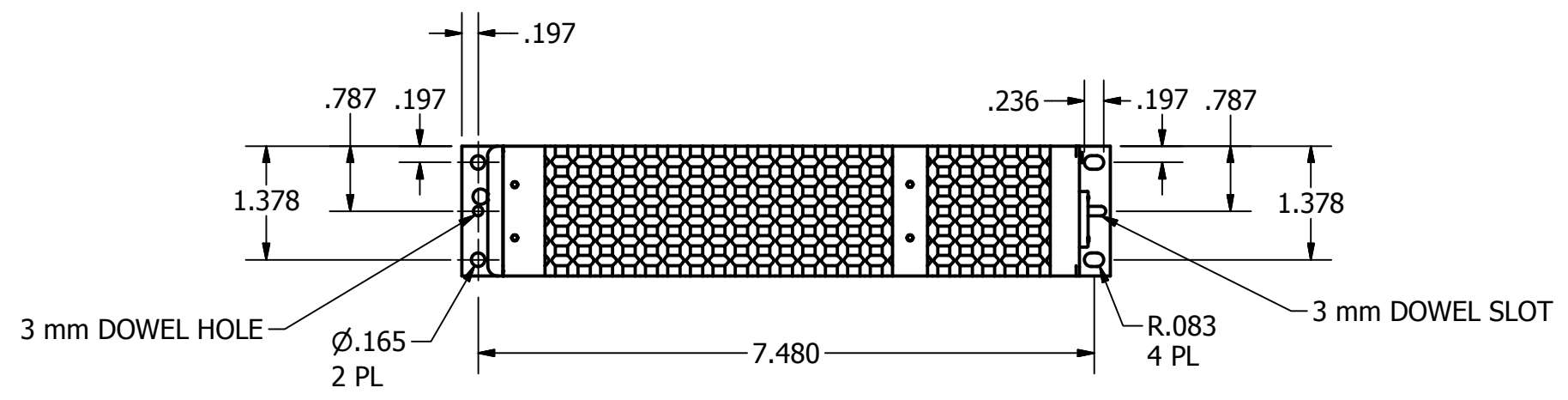
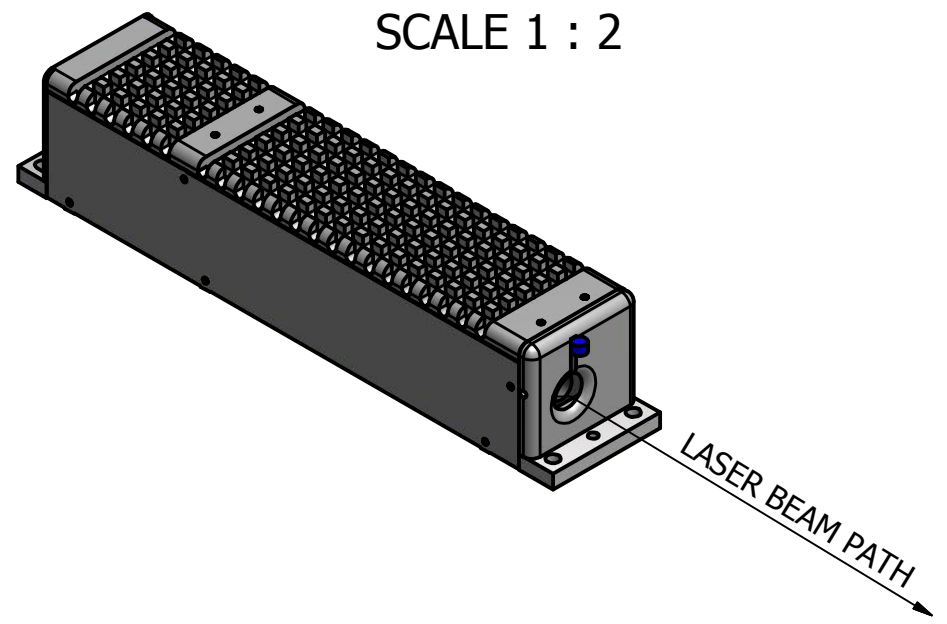


4 3 2 1

SCALE 1 : 2



- NOTES:
- 1 INTERPRET DRAWING PER 40M114
 - 2 THE CONTRACTOR, POWER TECHNOLOGY INC. HEREBY CERTIFIES THAT, TO THE BEST OF ITS KNOWLEDGE AND BELIEF, THE TECHNICAL DATA DELIVERED HERewith UNDER THE SUBJECT CONTRACT IS COMPLETE, ACCURATE AND COMPLIES WITH ALL REQUIREMENTS OF THE CONTRACT.
 - 3 WORKMANSHIP SHALL BE IN ACCORDANCE WITH MIL- HDBK - 454. GUIDELINE 9.
 - 4 Anodize Per mil-A-8625 Type II Class II

PROPRIETARY INFORMATION NOTICE: Despite any other copyright notices, this document and information disclosed herein contains confidential, proprietary designs owned by POWER TECHNOLOGY. Information contained herein shall NOT be reproduced, used or disclosed without the written authorization of POWER TECHNOLOGY.

MATERIAL		<p>Power Technology, Inc. Address correspondence to: P.O. Box 191117 Little Rock, Ar 72219-1117 (501) 407-0712</p> <p>Plant Location: 16302 Alexander Road Alexander, Ar. 72002 (501) 407-0036 Fax</p>					
FINISH							
DIMENSIONAL TOLERANCES AND SYMBOLS IN ACCORDANCE WITH ANSI Y14.5M-1982 .xx±.01 $\angle \pm 2^\circ$.xxx±.005 FRACTIONS+1/64 SCRATCH & DIG >63		DRAWN SM CHECKED PROJ.ENGR	DATE 8/24/22 TITLE 261 nm UVC LASER MODULE	NO.	RV	SZ	Sheet of
ENGR	APPROVED	SC	0-0491-0700	A	B	1	1

4 3 2 1