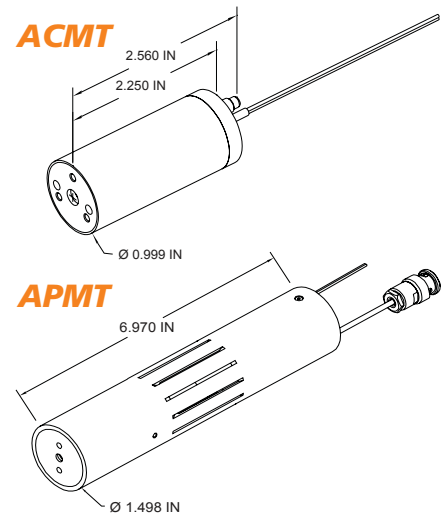


# TTL MODULATED LASERS WITH BEAM CORRECTION

- ▶ **ACMT** incorporates both digital beam modulation & beam circularizing optics
- ▶ **APMT** features a round beam, beam modulation, & temperature control



## Circularized Beam, TTL Modulated—

### ACMT Laser Modules:

The ACMT incorporates digital beam modulation and anamorphic correcting prisms, yielding a high-quality, circularized beam. The unit is designed for digital beam modulation from CW to 20MHz and operates in constant current mode at a factory preset, customer-specified output power. Optional potentiometers are available for amplitude control.

### APMT Laser Modules:

In addition to beam modulation and circularizing optics, the APMT provides active temperature control to maintain a stable operating temperature for the laser diode. The APMT operates in constant current mode and is designed for external TTL modulation from CW to 20MHz. Built-in potentiometers enable users to adjust or change the drive current amplitude, output power, or active temperature control parameters, and a 7-pin connector allows for DVM-compatible monitoring of these parameters.



**DVM-  
Compatible  
Monitoring**

The APMT contains a 7-pin connector that allows for DVM-compatible monitoring of the drive current, output power, and active temperature control parameters.

MODULE SPECIFICATIONS	ACMT	APMT
Dimensions, Ø x L, in. [mm]	1.00 x 2.25 [25.37 x 57.15]*	1.50 x 6.97 [38.05 x 177.04]
Operating Voltage (VDC)	5 ± 0.5	12 ± 1
Max. Operating Current (mA)	240	1350
Max. Laser Drive Current (mA)	200	200
Modulation Frequency Range (MHz)	CW - 20	CW - 20
Rise/Fall Times (ns)	6/15	6/15
Propagation Delay (ns)	30	30
Temperature Stability (°C)	–	.5
Temperature Range (°C)	–	10 - 35
Control Voltage Connector Type	SMC	BNC
Physical Diode Compatibility	9mm, 5.6mm	9mm, 5.6mm
Diode Compatibility	all	all
Beam Size At Exit, 1/e <sup>2</sup> (mm)	2.7	2.7
Recommended Options**	D2, T, X22, X25, X26	D2, D3, T

\*For models above 200mA, the unit measures 3.25" [82.55mm] in length.

\*\*See pages 46 through 52 for our available options and accessories.

Round  
beam  
plus  
digital  
beam  
modulation