

4

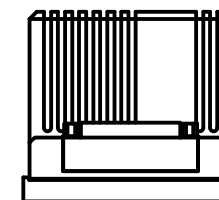
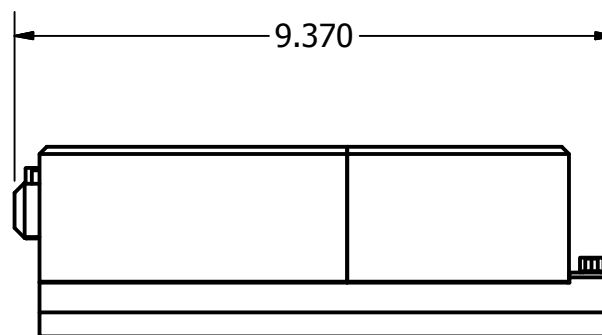
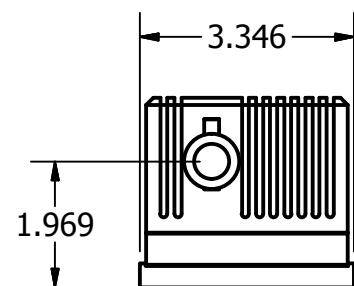
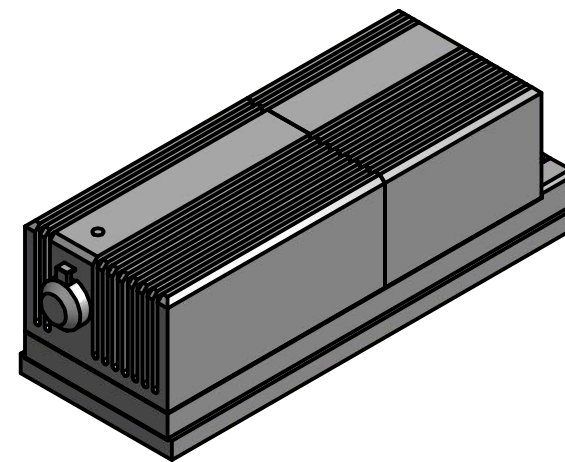
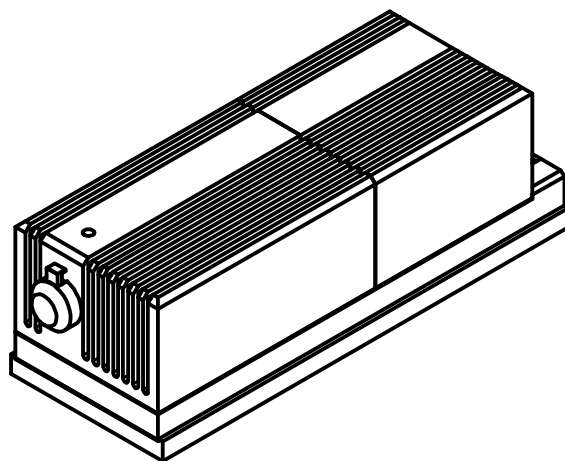
3

2

1

B

B



A

A

A

A


NOTES:

- 1 THE CONTRACTOR, POWER TECHNOLOGY INC. HEREBY CERTIFIES THAT, TO THE BEST OF ITS KNOWLEDGE AND BELIEF, THE TECHNICAL DATA DELIVERED HERewith UNDER THE SUBJECT CONTRACT IS COMPLETE, ACCURATE AND COMPLIES WITH ALL REQUIREMENTS OF THE CONTRACT.
- 2 WORKMANSHIP SHALL BE IN ACCORDANCE WITH MIL- HDBK - 454. GUIDELINE 9.
- 3 DRAWING TO BE INTERPRETED PER ANSI Y14.5-1994
- 4 RMS FINISH 125√ ALL MACHINED SURFACES EXCEPT AS NOTED
- 5 ALL FILLETS, ROUNDS OR CHAMFERS TO BE .015 MAX. UNLESS OTHERWISE SPECIFIED
- 6 TREATMENT: ANODIZE PER MIL-A-8625 TYPE II, CLASS 2, COLOR: BLK NOMINAL THICKNESS SHALL BE 0.0005
- 7 ALL DIMENSIONS APPLY AFTER ANODIZING

PROPRIETARY INFORMATION NOTICE: Despite any other copyright notices, this document and information disclosed herein contains confidential, proprietary designs owned by POWER TECHNOLOGY. Information contained herein shall NOT be reproduced, used or disclosed without the written authorization of POWER TECHNOLOGY.



MATERIAL	6061 T6 ALUMINUM
FINISH	BLACK ANODIZE
DIMENSIONAL TOLERANCES UNLESS OTHERWISE SPECIFIED INCHS	
.xx±.01	∠±0°-30'
.xxx±.005	◎±.001
.xxxx±.0005	⊥±.001
ENGR	APPROVED



Power Technology Incorporated
Putting the "custom" back in "customer"

Power Technology, Inc.
Address correspondence to:
P.O. Box 191117
Little Rock, Ar 72219-1117
(501) 407-0712

Plant Location:
16302 Alexander Road
Alexander, Ar. 72002
(501) 407-0036 Fax

DRAWN	DATE	TITLE
JD 06-11-2013		Klasterck BLUE NOTE
CHECKED		
PROJ. ENGR		
SC		NO. 0-0419-0C02-
		RV 0
		SZ B
		Sheet of 1 1

4

3

2

1

A