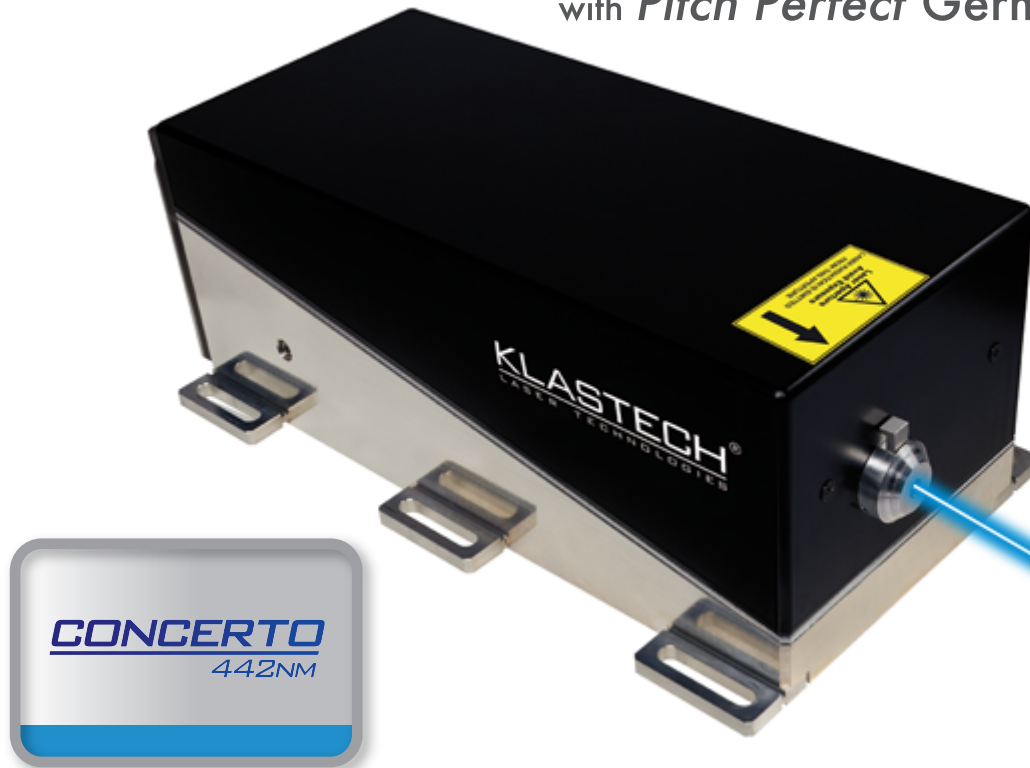


KLASTECH[®]
a PowerTechnology Company

Concerto[®] 442nm

Disruptive He-Cd Laser Replacement
with *Pitch Perfect* German Engineering



Say goodbye to large, costly and cumbersome He-Cd gas lasers, and hello to the world's only 442nm Blue solid state laser - the Concerto[®] by KLASTECH[®].

The Concerto[®] is low noise, conductively cooled and inherently produces actively stabilized single frequency performance all in a compact, highly stable design. The Concerto[®] also eliminates the need for re-tubing after 3000 hours resulting in significantly lower cost of ownership.

Applications include holography, spectroscopy, thin film analysis, reprographics, disc mastering and optical data storage.

REST OF WORLD:
KLASTECH GmbH
www.klastech.com
+49 231 999 505 50
info@Klastech.com

AMERICAS:
Power Technology, Inc.
www.PowerTechnology.com
+1 501 407 0712
sales@PowerTechnology.com

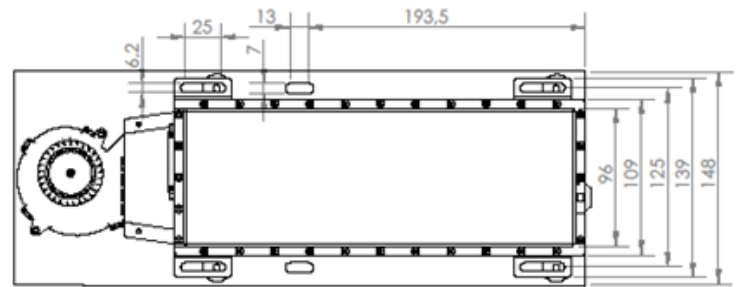
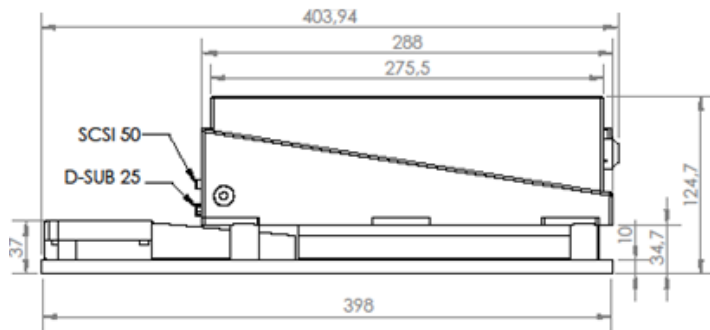


Features

- Intrinsic single longitudinal mode performance
- Diffraction limited beam quality
- Scalable, compact design
- Very low power consumption
- Long term power stability

Applications

- Disc mastering
- Data storage
- Raman spectroscopy
- Reprographics
- Thin film analysis
- Holography



Output beam parameters:

Output wavelength	442 nm + / - 0.5
Rated output power (CW)	25, 50, 75, 100 & 150 mW
Output beam diameter	1.2 mm (+/-0.2) @ 10mm 1/e2
Transverse mode structure	TEM00, M2 < 1.1
Divergence	<1 mrad 1/2 angle
Beam pointing stability	≤ 10 μrad / °C
Longitudinal mode structure	SLM (Single frequency)
Polarisation	Vertical
Polarisation ratio	≥ 100: 1
Output power noise (p-p)	≤ 3 % (10 Hz - 2 MHz)
Output power noise (rms)	≤ 0.5 % (10 Hz - 2 MHz)
Output power stability	≤ 2 % (4 hours)
Thermal management	TEC conductive cooling through metal heat sink plate
Operating temperatures (base plate)	15 - 35 °C
Storage temperatures	10 - 50 °C
Laser head size (L x W x H)	400 x 150 x 125 mm
Laser head weight including cooler plate	5720 g
Dimensions (LxWxH)	175 x 104 x 45 mm
Weight	740 g
Power adapter	Standard AC/DC converter, 12VDC, 140W max with Mini-DIN 4 power connector
Cables	Included
Weight	1200 g

