



Features

- Stable wavelength
- Stable output power
- Optional Analog or Digital Modulation
- Optional on board microprocessor w/ serial interface and windows GUI

Applications

- Medical
- Illumination
- Sensing
- Defense

This series of IQ lasers features six wavelengths between 2000nm and 3000nm. Lasers in this wavelength range are interesting for sensing and defense applications that may include illumination, targeting or aiming. Non-military applications include medical applications, illumination, materials processing or pumping of mid-infrared solid-state lasers.

Our IQ Module incorporates a precision laser current source and a PID temperature control loop to provide extreme wavelength and power stability. In addition the IQ provides numerous mechanical and optical improvements over previous generation instrument quality lasers to provide increased stability and can operate at wider temperature ranges.

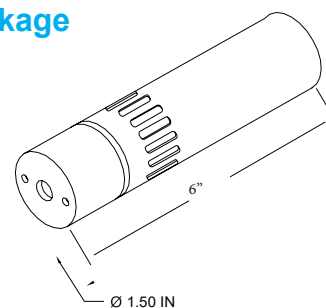
The IQ module operates at an efficient 5VDC. This low operating voltage helps to create less waste heat within the laser module, increasing, efficiency, and reliability.

The IQ features quality glass lenses for superior beam quality.

The IQ is also available with an on-board microprocessor for applications requiring advanced control. Microprocessor supervision offers precise control and monitoring of crucial operating parameters by computers or users.

The module can be interfaced by either an on-board, menu driven, local display or by Windows compatible control and monitoring software via USB or RS-232 interface.

IQ1C Package



Product Model (SKU)	IQ1C125(2100-140)	IQ1C30(2315-40)	IQ1C60(2450-75)	IQ1C15(2590-20)	IQ1C10(2700-18)	IQ1C15(2960-20)
Wavelength (nm)	2100	2315	2450	2590	2700	2960
Output Power (mW)	125	30	60	15	10	15
Operating voltage (VDC)*	5 - 8	5 - 8	5 - 8	5 - 8	5 - 8	5 - 8
Max Operating current (mA)	2500	2500	2500	2500	2500	2500
Operating Temp. Range (°C)	0 - 40	0 - 40	0 - 40	0 - 40	0 - 40	0 - 40
L.D. Temperature stability (°C)	± .02	± .02	± .02	± .02	± .02	± .02
L.D. Temperature Range (°C)	15 - 35	15 - 35	15 - 35	15 - 35	15 - 35	15 - 35
Beam Size (mm)	1.1 x 2.4	0.65 x 2.6	0.82 x 2.6	0.69 x 2.6	0.67 x 2.6	0.61 x 2.6
Beam divergence (1/e ² , mrad)	3.4 x 1.3	4.5x 1.3	3.8 x 1.3	4.7 x 1.3	5.1 x 1.3	6.1 x 1.5

Higher powers and custom wavelengths between 2000nm and 3000nm are available. Please contact your sales representative for more information.

* Optimum performance is achieved from most laser diodes when operated at 5V DC.

