

DISTRIBUTED FEEDBACK LASER

GaAs Semiconductor Laser Diode
with integrated grating structure

**PRELIMINARY SPECIFICATION****DFB Laser****EYP-DFB-0937-00100-1500-TOC03-0000****General Product Information**

Product	Application
937 nm DFB Laser with TO Housing	Spectroscopy
Monitor Diode, Thermoelectric Cooler and Thermistor	Metrology

**Absolute Maximum Ratings**

	Symbol	Unit	min	typ	max
Storage Temperature	T_S	°C	-40		85
Operational Temperature at Case	T_C	°C	-20		75
Forward Current	I_F	mA			200
Reverse Voltage	V_R	V			0
Output Power	P_{opt}	mW			110

Stress in excess of the Absolute Maximum Ratings can cause permanent damage to the device. Operation at the Absolute Maximum Rating for extended periods of time can adversely affect the device reliability and may lead to reduced operational life.

Recommended Operational Conditions

	Symbol	Unit	min	typ	max
Temperature at Laser Chip	T_{LD}	°C	15		40
Forward Current	I_F	mA			180
Output Power	P_{opt}	mW	10		100

measured by thermistor

total output measured with integrated sphere

Characteristics at $T_{amb} = 25\text{ °C}$ at Begin Of Life

Parameter	Symbol	Unit	min	typ	max
Center Wavelength	λ_C	nm	936	937	938
Spectral Width (FWHM)	$\Delta\nu$	MHz		2	10
Temperature Coefficient of Wavelength	$d\lambda / dT$	nm / K		0.06	
Current Coefficient of Wavelength	$d\lambda / dI$	nm / mA		0.003	
Output Power @ $I_F = 180\text{ mA}$	P_{opt}	mW	100		
Slope Efficiency	S	W / A	0.6	0.8	1.0

Measurement Conditions / Comments

see images on page 4

total output measured with integrated sphere

DISTRIBUTED FEEDBACK LASER

GaAs Semiconductor Laser Diode
with integrated grating structure



PRELIMINARY SPECIFICATION

DFB Laser

EYP-DFB-0937-00100-1500-TOC03-0000**Characteristics at T_{amb} 25 °C at Begin Of Life**

Parameter	Symbol	Unit	min	typ	max
Threshold Current	I_{th}	mA			70
Operational Current @ $P_{opt} = 100$ mW	I_{op}	mA			180
Sidemode Supression Ratio	SMSR	dB	30	45	
Cavity Length	L	μ m		1500	
Divergence parallel	$\Theta_{ }$	°	6	8	10
Divergence perpendicular	Θ_{\perp}	°	18	21	24
Polarization				TE	
Spatial Mode (transversal)				TEM ₀₀	
Spectral Mode (longitudinal)				Single Mode	

Measurement Conditions / Comments

 $P_{opt} = 100$ mW

E field perpendicular to long axis of housing
fundamental mode

Monitor Diode

Parameter	Symbol	Unit	min	typ	max
Monitor Detector Responsivity	I_{mon} / P_{opt}	μ A / mW	0.5		5
Reverse Voltage Monitor Diode	$U_{R MD}$	V	3		5
Monitor Linearity	Lin_{MD}	%	-10		+10

Measurement Conditions / Comments

 $U_R = 5$ V, target values $P_{opt} = 10 \dots 100$ mW, $U_R = 5$ V**Thermoelectric Cooler**

	Symbol	Unit	min	typ	max
Current	I	A			1.8
Voltage	U	V			3.2
Thermal Load	Q_c	W			3.1
Temperature Difference	dT	K			50

 $T_{chip} = 25^\circ\text{C}$; $P_{opt} = 100$ mW**Thermistor (Standard NTC Type)**

	Symbol	Unit	min	typ	max
Resistance	R	kOhm		10	
Beta Coefficient	β			3892	

DISTRIBUTED FEEDBACK LASER

GaAs Semiconductor Laser Diode
with integrated grating structure



PRELIMINARY SPECIFICATION

DFB Laser

EYP-DFB-0937-00100-1500-TOC03-0000

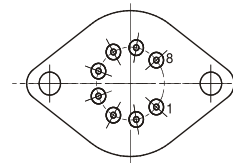
Package Dimensions

	Symbol	Unit	min	typ	max
Height of Laser Output above Header	H_L	mm		5.25	
Housing Dimension	$l \times w \times h$	mm ³		38.8 x 25.4 x 9.2	
Pin Length	L	mm	11		

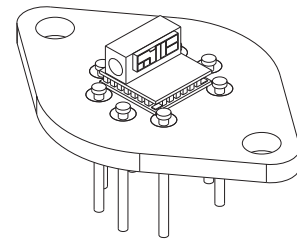
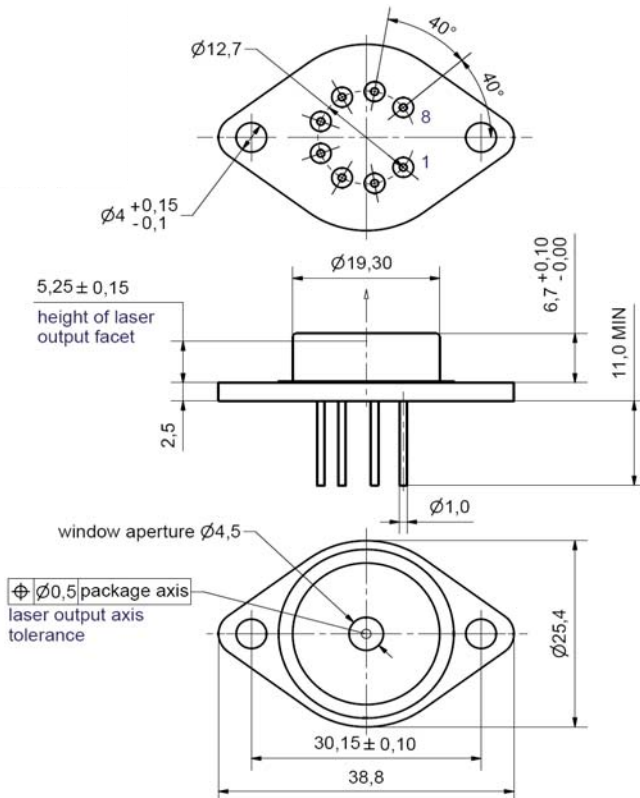
Package Pinout

1	Thermoelectric Cooler (+)	5	Laser Diode (Anode)
2	Thermistor	6	Photo Diode (Anode)
3	Thermistor	7	Photo Diode (Cathode)
4	Laser Diode (Cathode)	8	Thermoelectric Cooler (-)

bottom view



Package Drawings



DISTRIBUTED FEEDBACK LASER

GaAs Semiconductor Laser Diode
with integrated grating structure



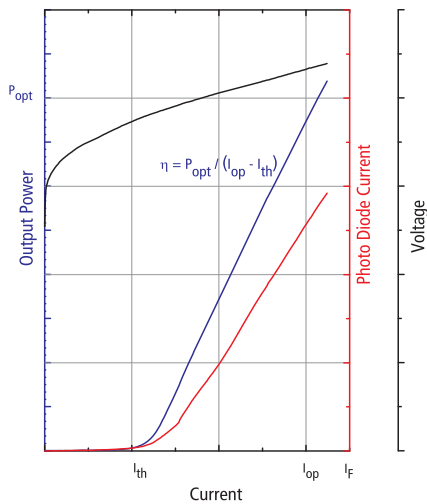
PRELIMINARY SPECIFICATION

DFB Laser

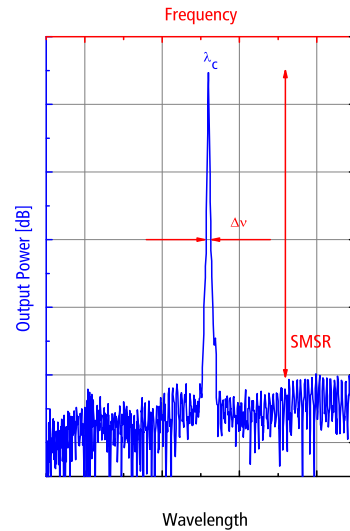
EYP-DFB-0937-00100-1500-TOC03-0000

Typical Measurement Results

Output Power vs. Current



Spectra at Specified Optical Output Power



Performance figures, data and any illustrative material provided in this specification are typical and must be specifically confirmed in writing by eagleyard Photonics before they become applicable to any particular order or contract. In accordance with the eagleyard Photonics policy of continuous improvement specifications may change without notice.

Unpacking, Installation and Laser Safety

Unpacking the laser diodes should only be done at electrostatic safe workstations (EPA). Though protection against electro static discharge (ESD) is implemented in the laser package, charges may occur at surfaces. Please store this product in its original package at a dry, clean place until final use. During device installation, ESD protection has to be maintained.

The DFB diode type is known to be sensitive against optical feedback, so an optical isolator may be required in some cases. Operating at moderate temperatures on proper heat sinks will contribute to a long lifetime of the diode.

The laser emission from this diode is close to the invisible infrared region of the electromagnetic spectrum. Avoid direct and/or indirect exposure to the free running beam. Collimating the free running beam with optics as common in optical instruments will increase threat to the human eye.

Each laser diode will come with an individual test protocol verifying the parameters given in this document.



eagleyard Photonics GmbH

Rudower Chaussee 29 (IGZ)
12490 Berlin GERMANY

fon +49. 30. 6392 452-0
fax +49. 30. 6392 452-9

info@eagleyard.com
www.eagleyard.com

