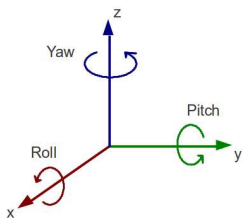
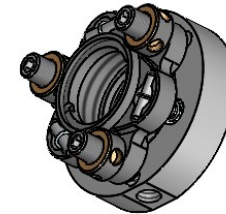
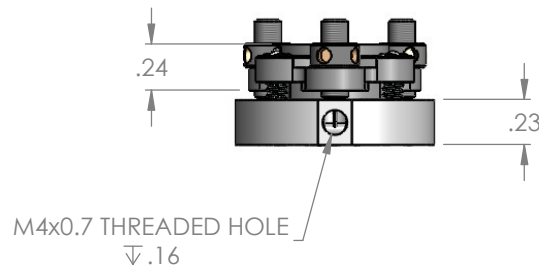
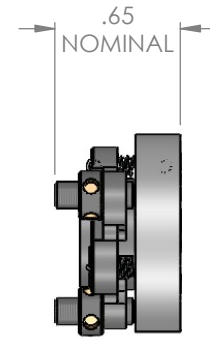
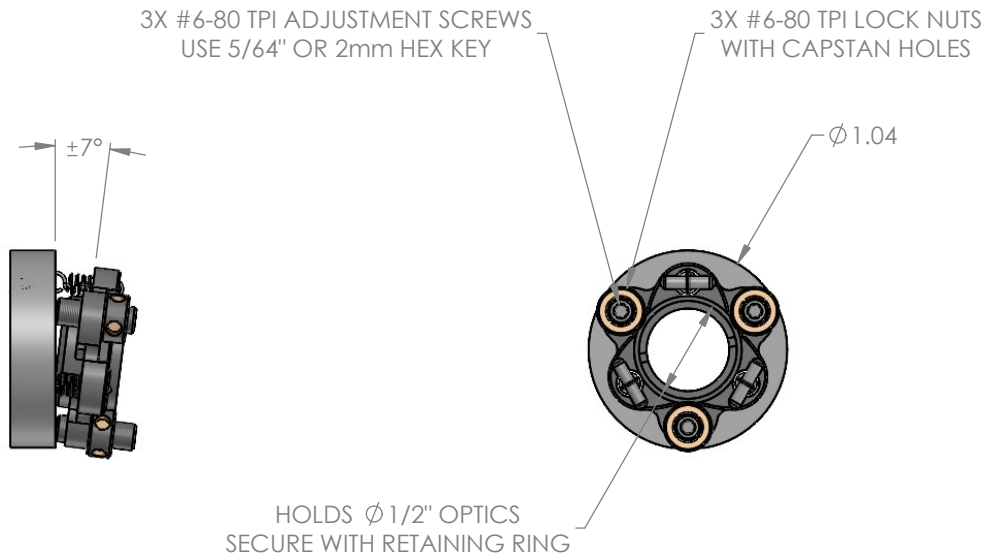
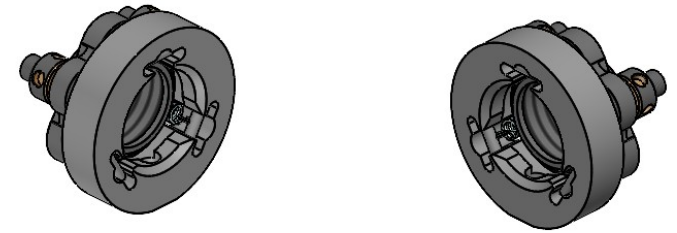


SPECIFICATIONS:

1. POST MOUNT FINE ADJUST OPTIC MOUNT.
2. FACEPLATE HAS 0.17" TRAVEL AND GREATER THAN $\pm 7^\circ$ ADJUSTMENT.



PART NUMBER	FINISH
FAP5-CLR	SILVER
FAP5-BLK	BLACK

	THIRD ANGLE PROJECTION	FINE ADJUST POST MOUNT, $\phi 1/2$" OPTIC
	CATALOG ITEM	