

4

3

2

1

D

D

C

C

B

B

A

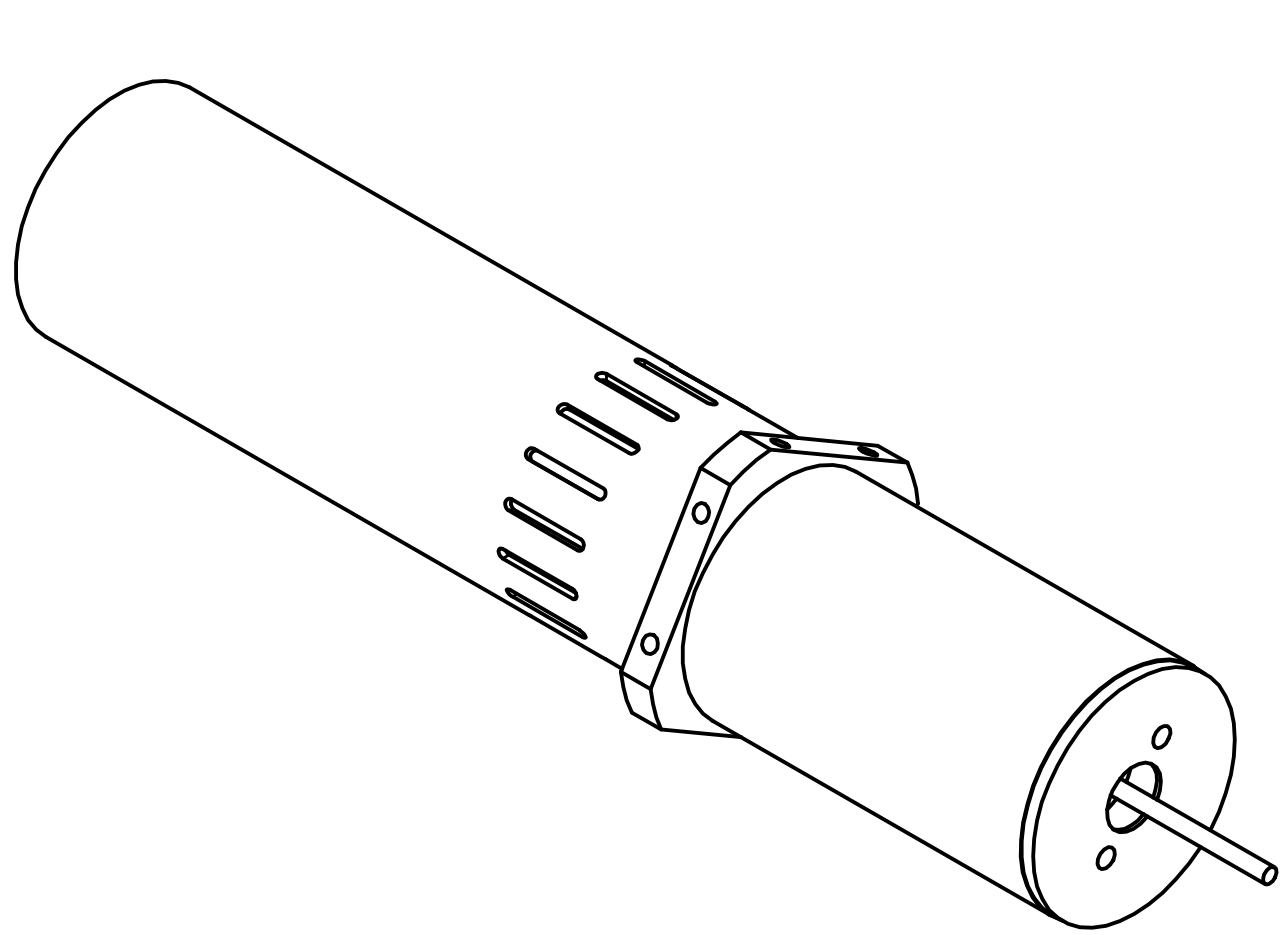
A

4

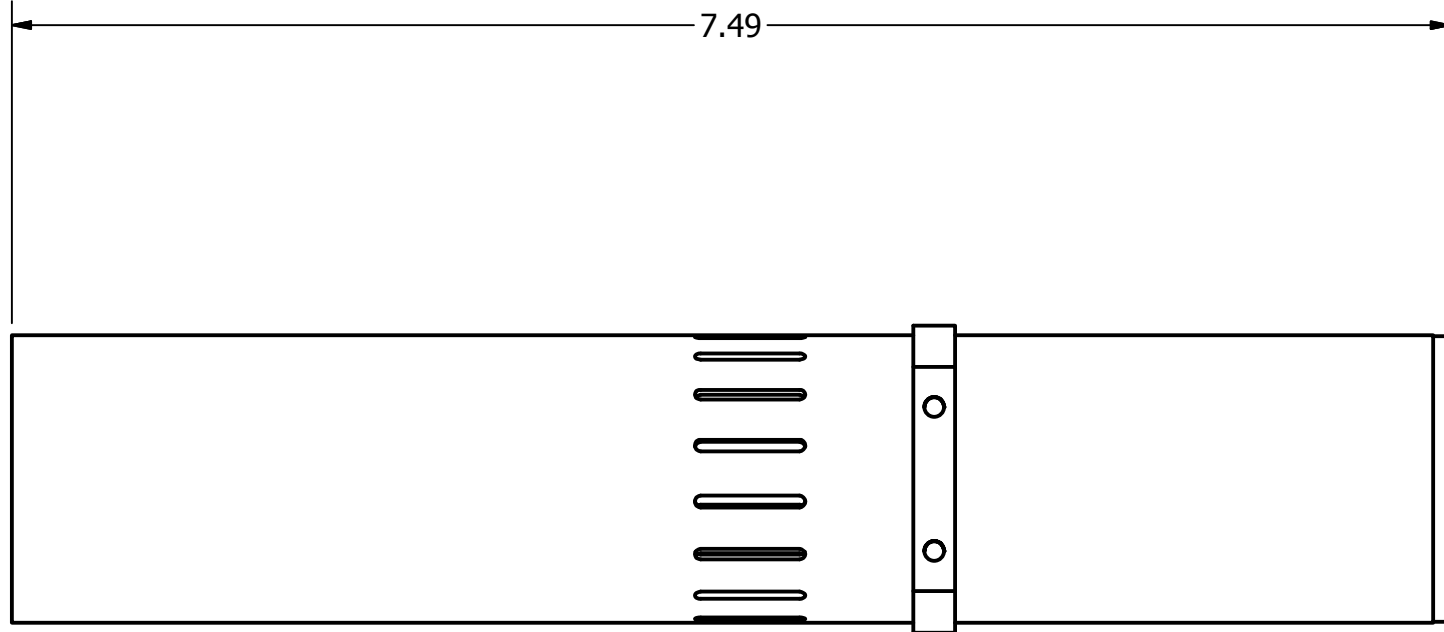
3

2

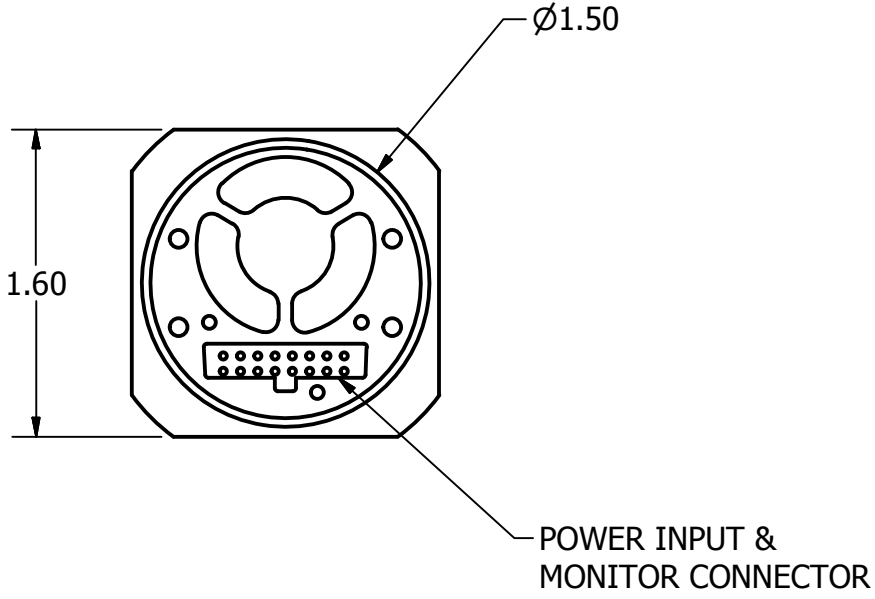
1



BEAM EXIT



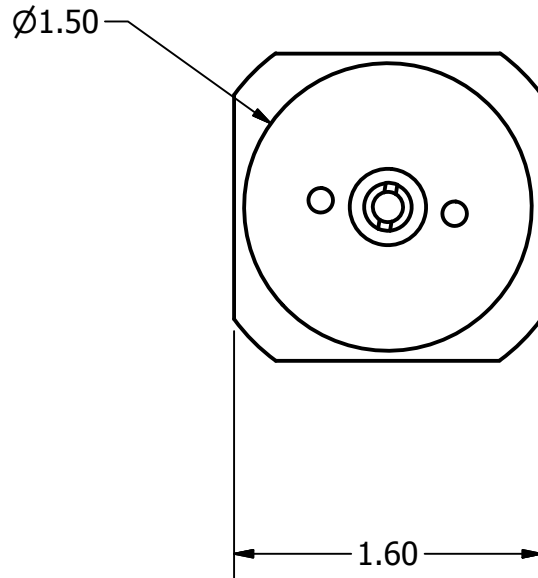
7.49



1.60

Ø1.50

POWER INPUT &  
MONITOR CONNECTOR



Ø1.50

1.60

TITLE			
IQ2 ASSY SQUARE			
SIZE	DWG NO	REV	
C	0-334-0C04 IQ 2 ASSY SQUARE		
SCALE	SHEET 1 OF 1		