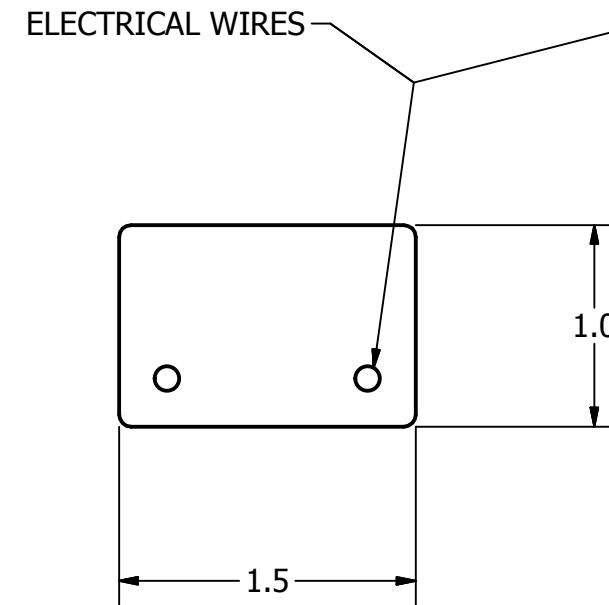
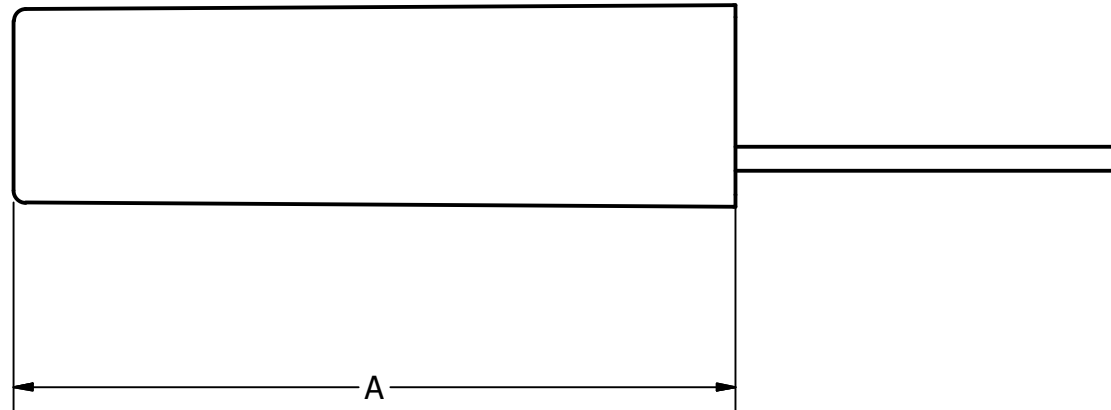
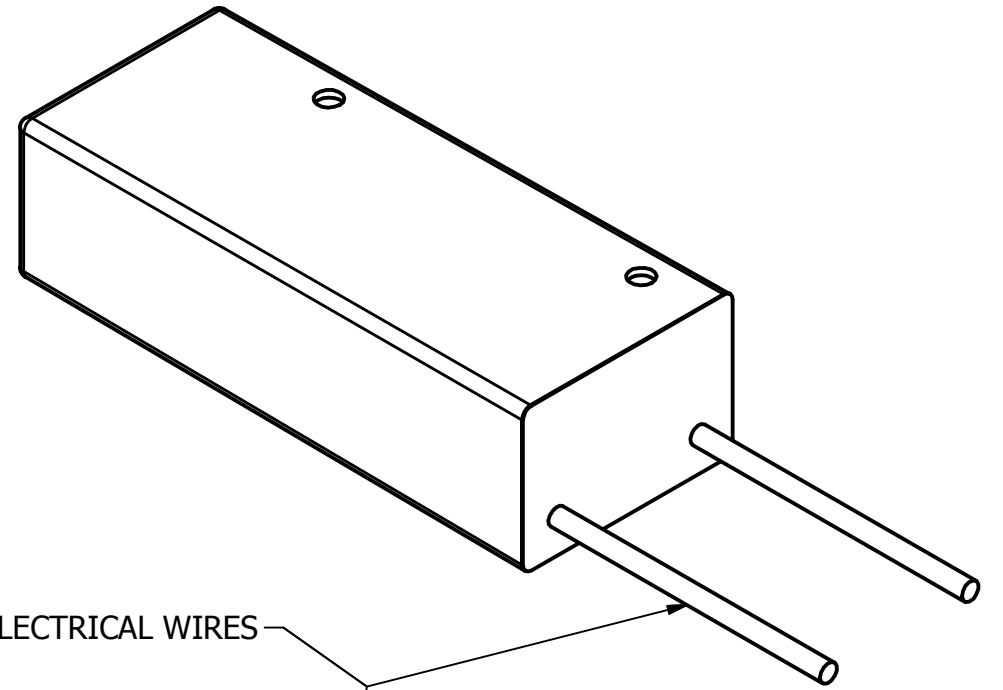
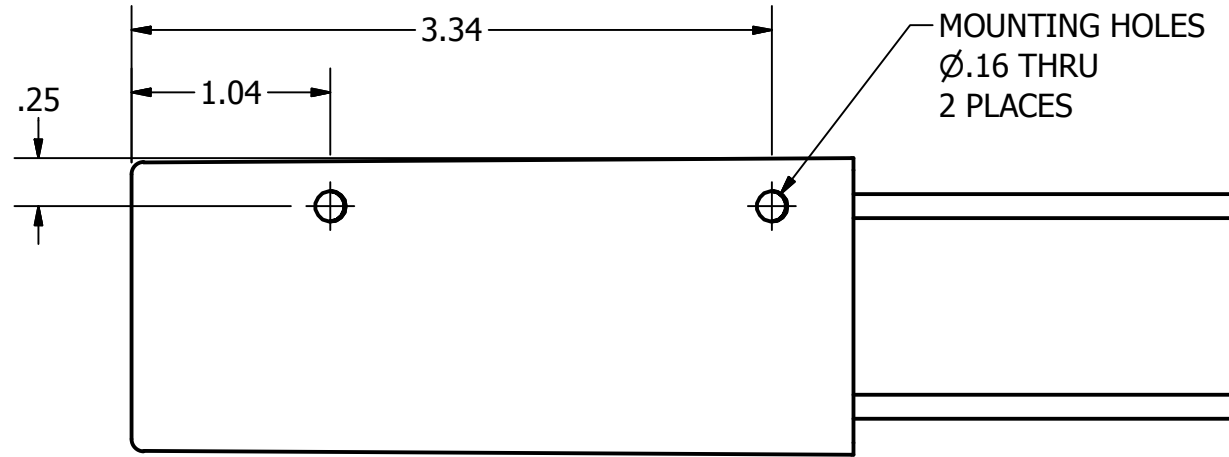



TABLE	
PART NUMBER	LENGTH 'A' (in)
L23101	3.75
L23110	4.00
L23111	4.25
L28101	3.75
L28110	4.00
L28111	4.25



- NOTES:
- 1 INTERPRET DRAWING PER 40M114
 - 2 THE CONTRACTOR, POWER TECHNOLOGY INC. HEREBY CERTIFIES THAT, TO THE BEST OF ITS KNOWLEDGE AND BELIEF, THE TECHNICAL DATA DELIVERED HERewith UNDER THE SUBJECT CONTRACT IS COMPLETE, ACCURATE AND COMPLIES WITH ALL REQUIREMENTS OF THE CONTRACT.
 - 3 WORKMANSHIP SHALL BE IN ACCORDANCE WITH MIL- HDBK - 454. GUIDELINE 9.
 - 4 Anodize Per mil-A-8625 Type II Class II

PROPRIETARY INFORMATION NOTICE: Despite any other copyright notices, this document and information disclosed herein contains confidential, proprietary designs owned by POWER TECHNOLOGY. Information contained herein shall NOT be reproduced, used or disclosed without the written authorization of POWER TECHNOLOGY.

MATERIAL VALOX DR-48	
FINISH	
DIMENSIONAL TOLERANCES AND SYMBOLS IN ACCORDANCE WITH ANSI Y14.5M-1982	
.xx±.01	∠±2°
.xxx±.005	FRACTIONS+1/64
SCRATCH & DIG >63	
ENGR	APPROVED

		Power Technology, Inc. Address correspondence to: P.O. Box 191117 Little Rock, Ar 72219-1117 (501) 407-0712		Plant Location: 16302 Alexander Road Alexander, Ar. 72002 (501) 407-0036 Fax	
		Putting the "custom" back in "customer"			
DRAWN SM	DATE 9/22/22	TITLE L23 AND L28 POWER SUPPLY CASE			
CHECKED					
PROJ.ENGR					
SC		NO. 0-0023-0422	RV A	SZ B	Sheet of 1 1

FOR REFERENCE ONLY
NOT FOR MANUFACTURING PURPOSES