

4 3 2 1

D

C

B

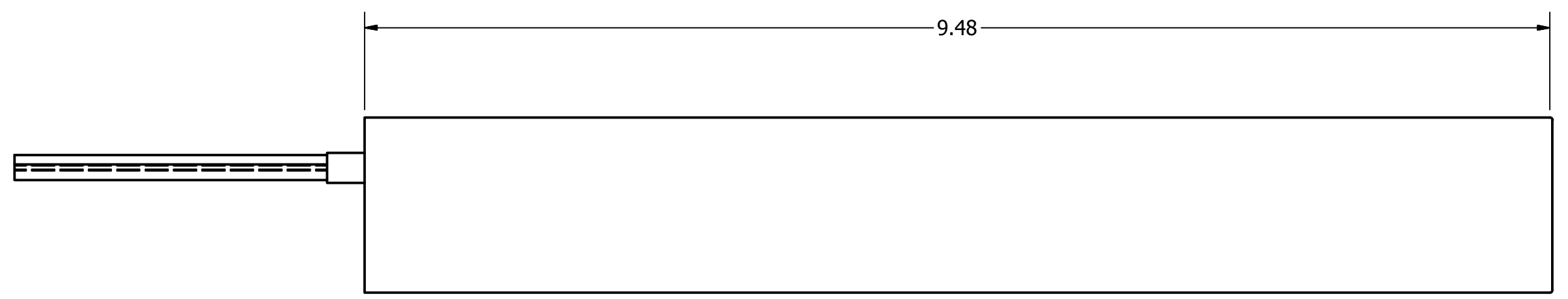
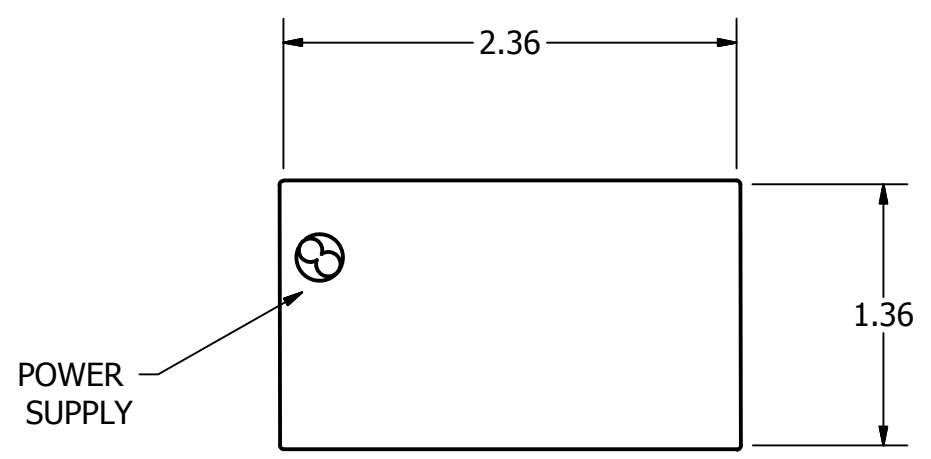
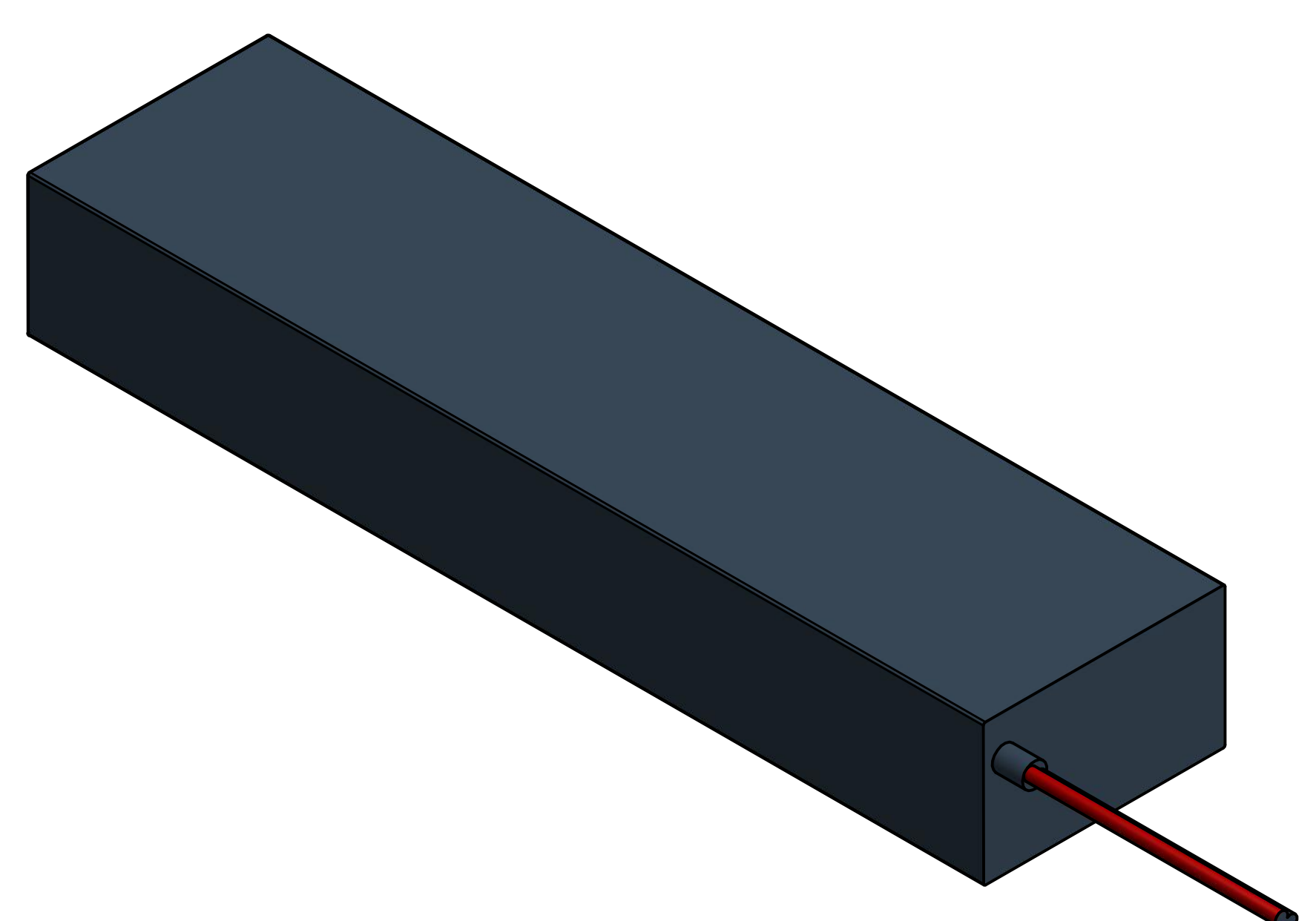
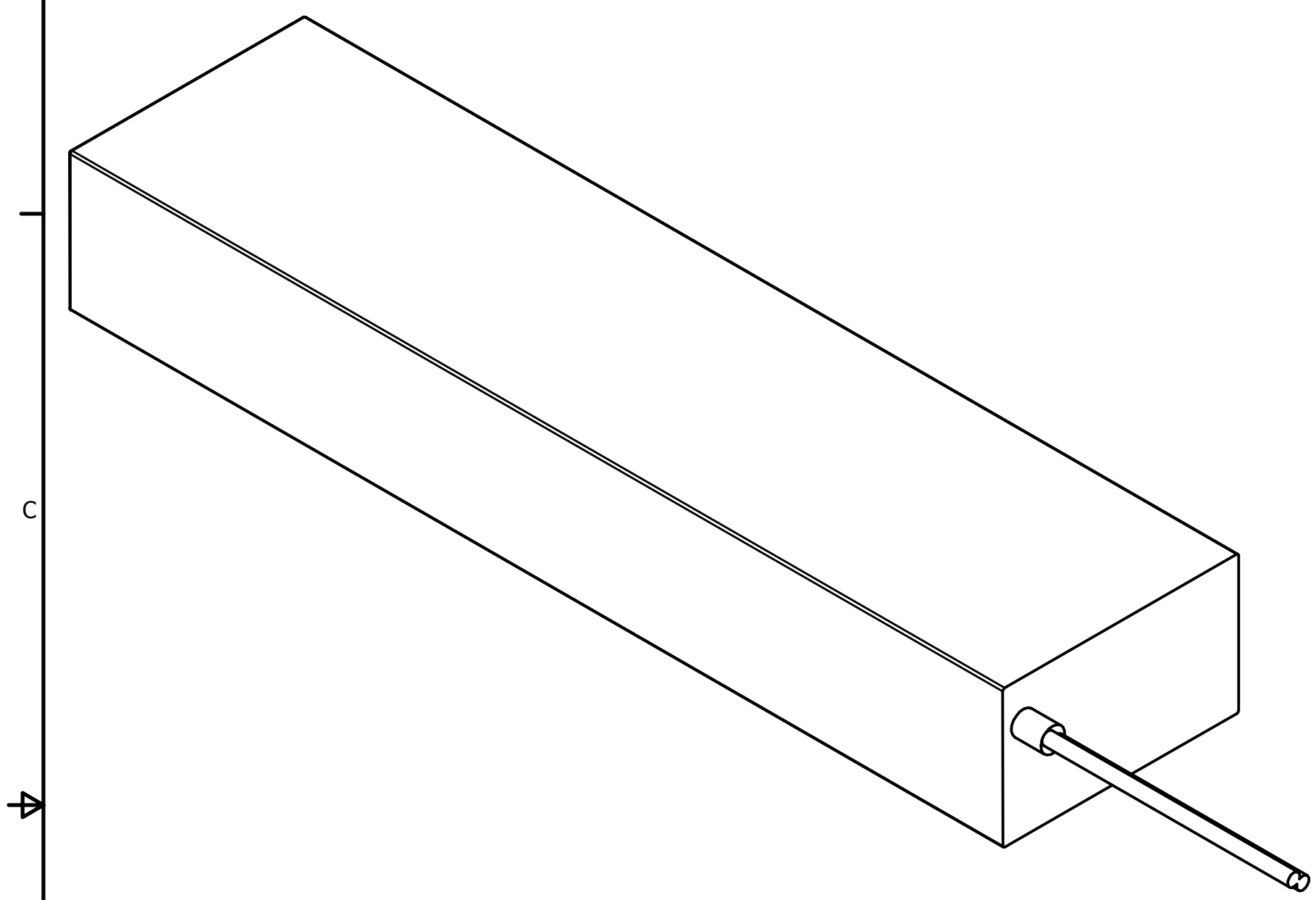
A

4 3 2 1

D

C

B



DRAWN	jdodd	6/4/2013		
CHECKED			TITLE	
QA			L88	
MFG			SIZE	DWG NO
APPROVED			C	0-0023-0C02
			SCALE	REV
				SHEET 1 OF 1