

ILLUMINA

LITHOGRAPHY LASER SYSTEM



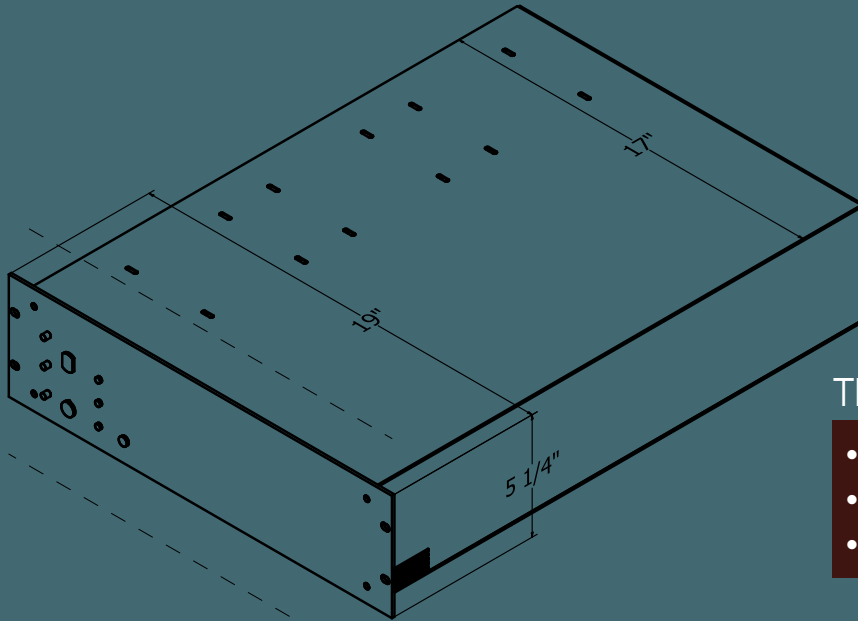
PRECISE + SCALABLE + RELIABLE

Your lithography process is unique. Your light source has to be up to the challenge and fit your budget. Power Technology's Illumina Lithography Laser System is a user-friendly laser light source that gives you the right amount of light at the right wavelength in exactly the right spot. Engineered for exceptional lithographic performance, the Illumina features a convenient and durable fiber coupled output at a wavelength of 405 nm enabling high resolutions. With scalable power and up to 176 Watts, seven unique power levels guarantee the Illumina laser is a perfect match for your application. Illumina provides 20,000 hours of reliable illumination without the need for liquid cooling. Illumina eliminates the dangers associated with expensive bulbs, and the high costs associated with other ultra-violet solutions. The Illumina Lithography Laser System delivers the most affordable, precision lithographic reproduction performance at the feature resolution you need for a price you can afford.



ILLUMINA

LITHOGRAPHY LASER SYSTEM



The Illumina Features:

- TTL Compatible Exposure Control
- User Adjustable Power Levels
- Stable Output Intensity

MAX POWER: <225 W
WAVELENGTH: 405 NM

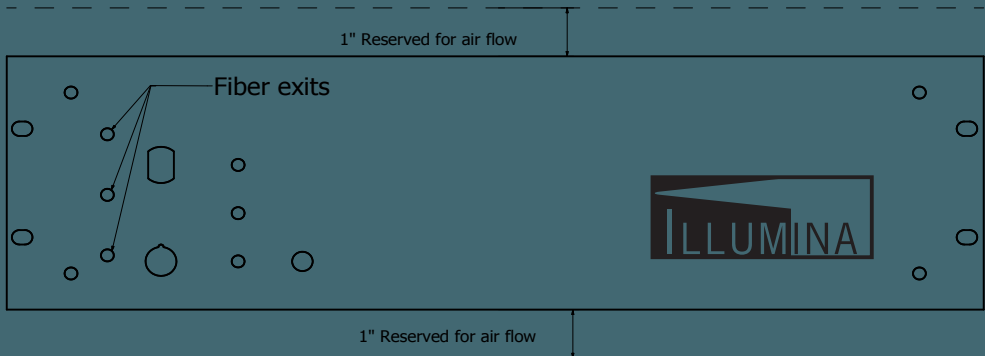
Complies with 21 CFR 1040.10 and 1040.11 except for deviations pursuant to Laser Notice No. 50, dated June 24, 2007. IEC60825-1 ed2:2007

AVOID EXPOSURE - LASER RADIATION IS EMITTED FROM THIS APERTURE

MODEL No: ILLUMINA
SERIAL No: VARIOUS
Mfg DATE: July 2015

LASER RADIATION
AVOID EYE OR SKIN EXPOSURE TO DIRECT OR SCATTERED RADIATION
CLASS 4 LASER PRODUCT

Power Technology Incorporated
Alexander, AR USA



Optional Military-Grade Speckle Reduction Available

TECHNICAL SPECIFICATIONS

Power	10 Watts	20 Watts	40 Watts	59 Watts	117 Watts	176 Watts
Wavelength	405nm	405nm	405nm	405nm	405nm	405nm
Output Diameter (mm)	1.5	1.5	2.07	2.23	3.47	3.97
Numeric Aperature	0.39	0.39	0.39	0.39	0.39	0.39
Supply Voltage (VAC)	90-250	90-250	90-250	90-250	90-250	90-250
Supply Current (Watts)	1000	1000	1000	1000	1000	1000
Operating Temperature (Celcius)	10 - 30	10 - 30	10 - 30	10 - 30	10 - 30	10 - 30
Storage Temperature (Celcius)	10 - 70	10 - 70	10 - 70	10 - 70	10 - 70	10 - 70
Weight (pounds)	60	60	60	60	180	180
Noise Level (dB(A))	58	58	58	58	58	58
19" Rack Space	1 x 3U	1 x 3U	1 x 3U	1 x 3U	3 X 3U	3 X 3U
Rack Depth (Inches)	24	24	24	24	24	24