

4

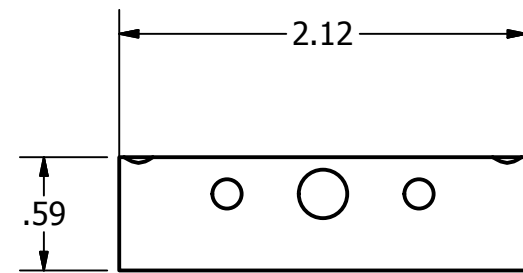
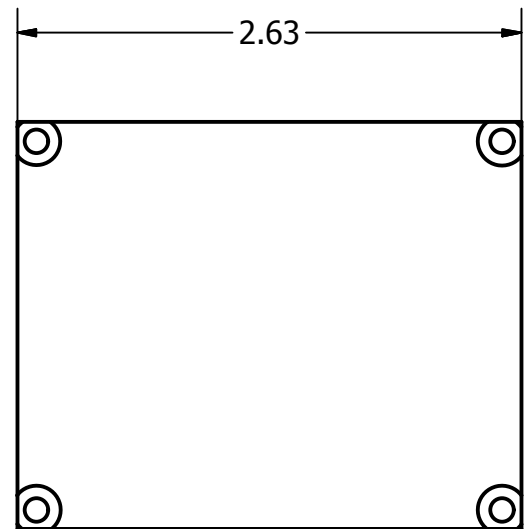
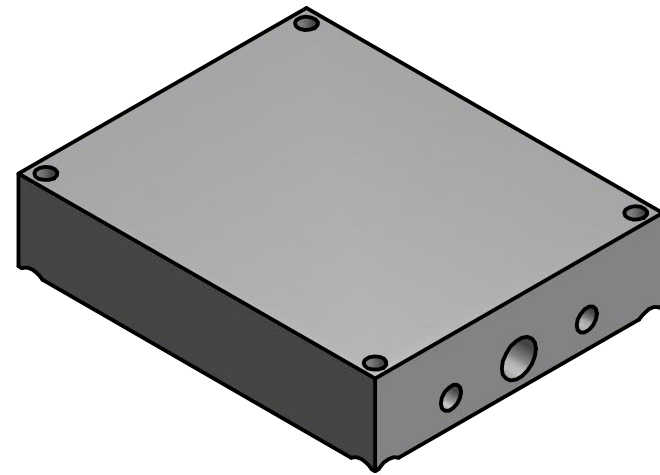
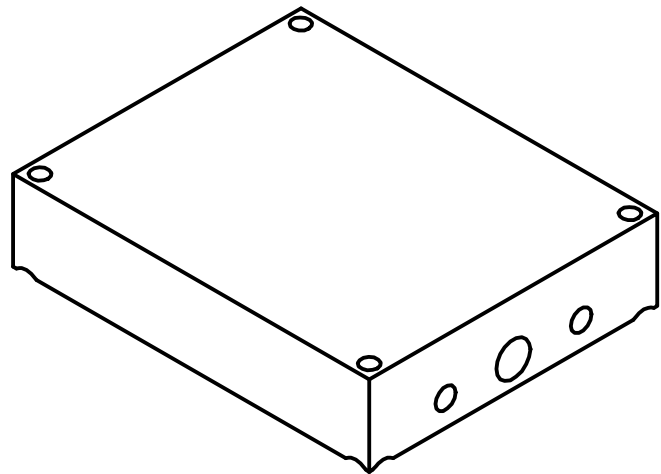
3

2

1

B

B



A

A

A

A

4

3

2

1

DRAWN jdodd	6/4/2013	TITLE  MLH 20/40		
CHECKED				
QA				
MFG				
APPROVED		SIZE <b>B</b>	DWG NO	REV
		SCALE	SHEET 2 OF 2	