

4

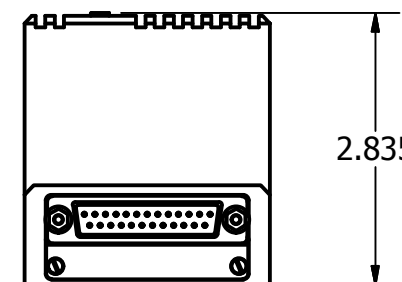
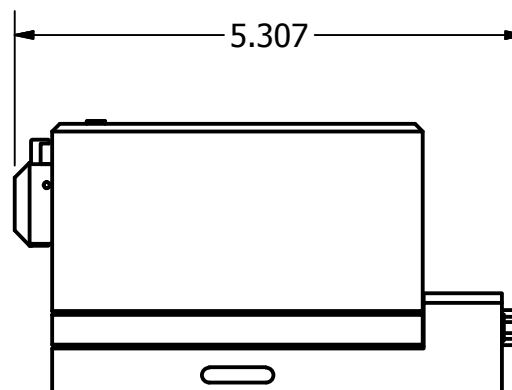
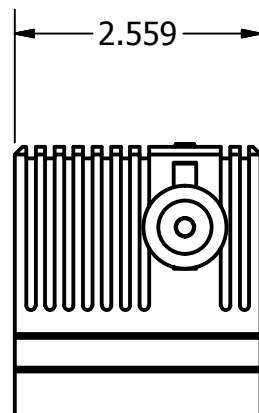
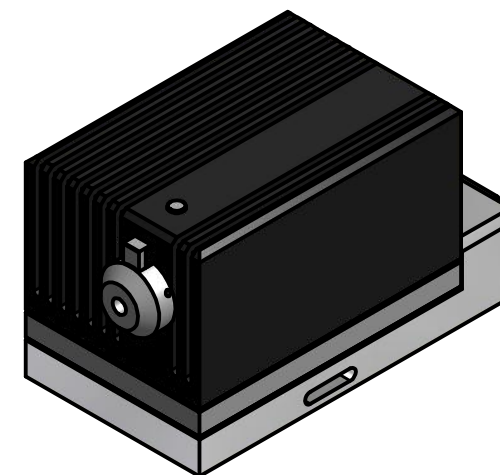
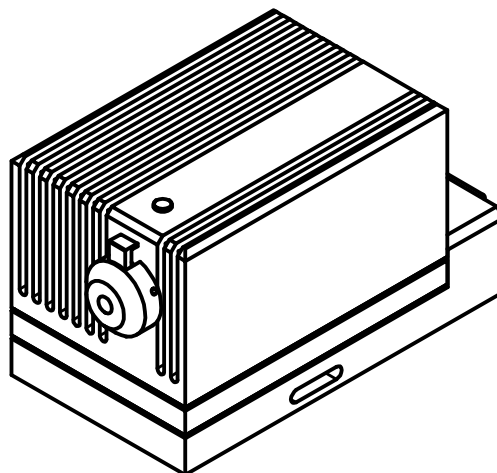
3

2

1

B

B



A

A


A

A

NOTES:

- 1 THE CONTRACTOR. POWER TECHNOLOGY INC. HEREBY CERTIFIES THAT, TO THE BEST OF ITS KNOWLEDGE AND BELIEF, THE TECHNICAL DATA DELIVERED HERewith UNDER THE SUBJECT CONTRACT IS COMPLETE, ACCURATE AND COMPLIES WITH ALL REQUIREMENTS OF THE CONTRACT.
- 2 WORKMANSHIP SHALL BE IN ACCORDANCE WITH MIL- HDBK - 454. GUIDELINE 9.
- 3 DRAWING TO BE INTERPRETED PER ANSI Y14.5-1994
- 4 RMS FINISH 125√ ALL MACHINED SURFACES EXCEPT AS NOTED
- 5 ALL FILLETS, ROUNDS OR CHAMFERS TO BE .015 MAX. UNLESS OTHERWISE SPECIFIED
- 6 TREATMENT: ANODIZE PER MIL-A-8625 TYPE II, CLASS 2, COLOR: BLK NOMINAL THICKNESS SHALL BE 0.0005
- 7 ALL DIMENSIONS APPLY AFTER ANODIZING

PROPRIETARY INFORMATION NOTICE: Despite any other copyright notices, this document and information disclosed herein contains confidential, proprietary designs owned by POWER TECHNOLOGY. Information contained herein shall NOT be reproduced, used or disclosed without the written authorization of POWER TECHNOLOGY.

MATERIAL 6061 T6 ALUMINUM		 <p>Power Technology, Inc. Address correspondence to: P.O. Box 191117 Little Rock, Ar 72219-1117 (501) 407-0712</p> <p>Plant Location: 16302 Alexander Road Alexander, Ar. 72002 (501) 407-0036 Fax</p>														
FINISH BLACK ANODIZE																
DIMENSIONAL TOLERANCES UNLESS OTHERWISE SPECIFIED INCHS		<table border="1"> <tr> <td>DRAWN</td> <td>DATE</td> <td>TITLE</td> </tr> <tr> <td>JD 06-11-2013</td> <td></td> <td rowspan="3">Klasterck SCHERZO</td> </tr> <tr> <td>CHECKED</td> <td></td> </tr> <tr> <td>PROJ. ENGR</td> <td></td> </tr> </table>		DRAWN	DATE	TITLE	JD 06-11-2013		Klasterck SCHERZO	CHECKED		PROJ. ENGR				
DRAWN	DATE	TITLE														
JD 06-11-2013		Klasterck SCHERZO														
CHECKED																
PROJ. ENGR																
<table border="1"> <tr> <td>.xx±.01</td> <td>∠±0°-30'</td> </tr> <tr> <td>.xxx±.005</td> <td>⊙±.001</td> </tr> <tr> <td>.xxxx±.0005</td> <td>⊥±.001</td> </tr> </table>		.xx±.01	∠±0°-30'	.xxx±.005	⊙±.001	.xxxx±.0005	⊥±.001	<table border="1"> <tr> <td>ENGR</td> <td>APPROVED</td> <td>SC</td> <td>NO. 0-0422-0C01-</td> <td>RV 0</td> <td>SZ B</td> <td>Sheet of 1 1</td> </tr> </table>		ENGR	APPROVED	SC	NO. 0-0422-0C01-	RV 0	SZ B	Sheet of 1 1
.xx±.01	∠±0°-30'															
.xxx±.005	⊙±.001															
.xxxx±.0005	⊥±.001															
ENGR	APPROVED	SC	NO. 0-0422-0C01-	RV 0	SZ B	Sheet of 1 1										

4

3

2

1

A